

FM11YX Overspeeding Scenario configuration instructions v2

These instructions will help user to understand how Overspeeding Scenario works, how to configure this scenario and also get a warning via buzzer/LED on FM11YX devices.

1. Functionality description

Overspeeding scenario is used to detect and inform about speed exceeding. When vehicle crosses your set speed, device generates Overspeeding event which is sent to server, also turns on DOUT1 and warns driver via buzzer/LED.

2. Connecting buzzer/LED for Overspeeding Alarm

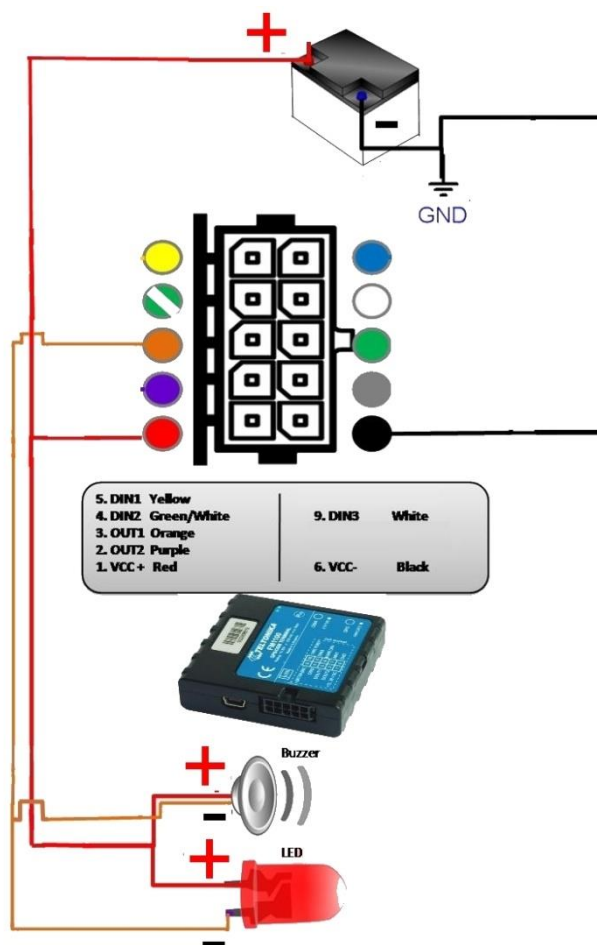


Figure 1 FM11YX buzzer/LED connection scheme for Overspeeding Alarm

3. Overspeeding Scenario configuration

User has to set maximum speed and after vehicle cross it – DOUT1 would turn on and light LED or enable buzzer sound. When speed would be less than your configured value, DOUT1 would turn off and buzzer/LED would be disabled.

Figure 2 shows example of Overspeeding configuration via configurator and SMS commands - how to get a warning when vehicle speed reaches more than 120km/h.

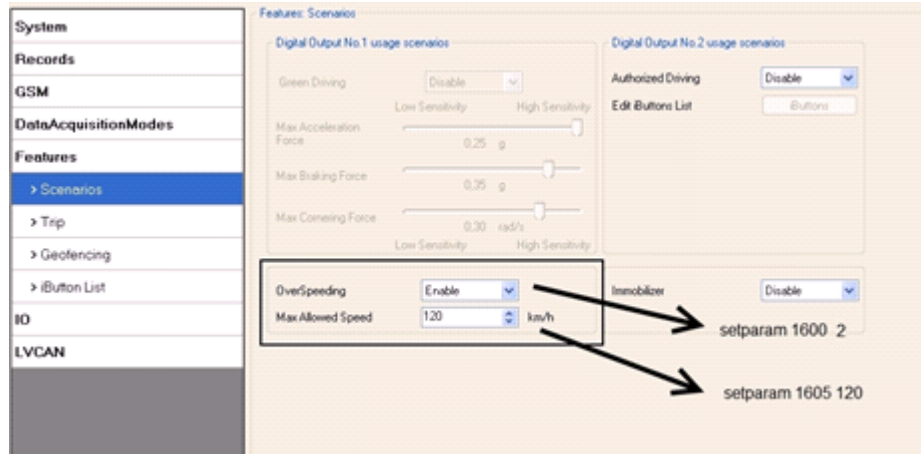


Figure 2 FM11YX Overspeeding configuration via configurator and SMS commands