

FM12YX Overspeeding Scenario configuration instructions

These instructions will help user to understand how Overspeeding Scenario works, how to configure this scenario and also get a warning via buzzer/LED on FM12YX devices.

1. Functionality description

Overspeeding scenario is used to detect and inform about speed exceeding. When vehicle crosses your set speed, device generates Overspeeding event which is sent to server, also turns on DOUT1 and warns driver via buzzer/LED.

2. Connecting buzzer/LED for Overspeeding Alarm

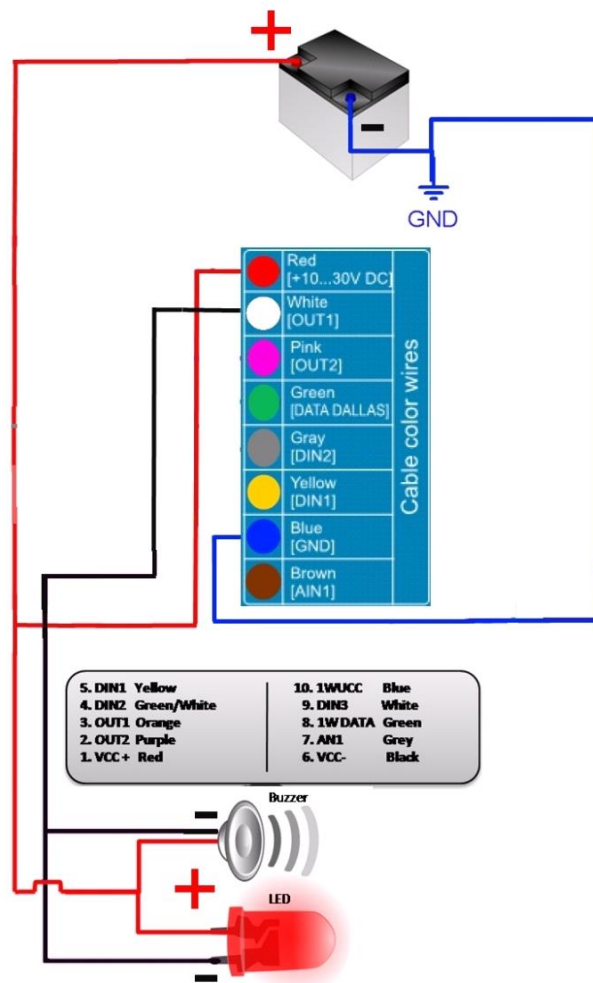


Figure 1 FM12XY buzzer/LED connection scheme for Overspeeding Alarm

3. Overspeeding Scenario configuration

User has to set maximum speed and after vehicle cross it – DOUT1 would turn on and light LED or enable buzzer sound. When speed would be less than your configured value, DOUT1 would turn off and buzzer/LED would be disabled.

Figure 2 shows example of Overspeeding configuration via configurator and SMS commands - how to get a warning when vehicle speed reaches more than 120km/h.

The screenshot displays the 'Features: Scenarios' configuration page. On the left is a navigation menu with categories: System, Records, GSM, DataAcquisitionModes, Features (with sub-items: Scenarios, Trip, Geofencing, iButton List), and IO. The main area is titled 'Features: Scenarios' and contains several configuration panels:

- Digital Output No.1 usage scenarios:** Includes 'Eco Driving' (Disable), 'Max Acceleration Force' (0.25 g), 'Max Braking Force' (0.35 g), and 'Max Cornering Force' (0.30 rad/s).
- Digital Output No.2 usage scenarios:** Includes 'Authorized Driving' (Disable) and 'Edit iButtons List' (iButtons).
- OverSpeeding:** Set to 'Enable' with 'Max Allowed Speed' at 120 km/h. Arrows indicate this configuration maps to 'setparam 1600 2' and 'setparam 1605 120'.
- Immobilizer:** Set to 'Disable'.
- Scenario Name:** Set to 'OverSpeeding'.
- SMS Events Configuration:** Includes an 'Enable' checkbox, an 'SMS Number' dropdown, and an 'SMS Text' field containing 'OverSpeeding'. A note states 'SMS Events Number List must be defined' with a button for 'SMS Event Numbers'.

Figure 2 FM12YX Overspeeding configuration via configurator and SMS commands