



# FM1120 User Manual

## V5.3

\*This version is suitable for device with universal FM11YX firmware base v.01.19.xx

## Table of contents

<b>1</b>	<b>INTRODUCTION .....</b>	<b>6</b>
1.1	ATTENTION .....	6
1.2	INSTRUCTIONS OF SAFETY .....	6
1.3	LEGAL NOTICE .....	7
1.4	ABOUT DOCUMENT .....	7
<b>2</b>	<b>BASIC DESCRIPTION .....</b>	<b>7</b>
2.1	PACKAGE CONTENTS .....	7
2.2	BASIC CHARACTERISTICS .....	7
2.3	TECHNICAL FEATURES.....	9
2.4	TECHNICAL INFORMATION ABOUT INTERNAL BATTERY.....	10
2.5	ELECTRICAL CHARACTERISTICS.....	10
2.6	ABSOLUTE MAXIMUM RATINGS.....	11
<b>3</b>	<b>CONNECTION, PINOUT, ACCESSORIES.....</b>	<b>12</b>
3.1	HOW TO INSERT SIM CARD INTO FM1120 DEVICE: .....	12
3.2	INSTALLING FM1120 DRIVERS .....	13
3.3	NAVIGATE LED.....	15
3.4	STATUS LED .....	15
3.5	SOCKET 2×5.....	15
3.6	USB.....	16
3.7	ACCESSORIES.....	17
<b>4</b>	<b>FIRMWARE .....</b>	<b>20</b>
4.1	UPDATING FIRMWARE USING USB CABLE .....	20
<b>5</b>	<b>OPERATIONAL BASICS.....</b>	<b>21</b>
5.1	OPERATIONAL PRINCIPALS.....	21
5.2	SLEEP MODES.....	22
5.2.1	<i>Sleep mode</i> .....	22
5.2.2	<i>Deep Sleep mode</i> .....	22
5.3	VIRTUAL ODOMETER.....	23
5.4	FEATURES.....	23
5.4.1	<i>Scenarios</i> .....	23
5.4.2	<i>Trip</i> .....	24
5.4.3	<i>Geofencing</i> .....	24
5.4.4	<i>iButton list</i> .....	24
5.5	CONFIGURATION.....	25
5.6	CONFIGURATOR.....	25
5.7	RECORD STORAGE .....	27
5.8	SYSTEM SETTINGS.....	27
5.9	RECORDS SETTINGS.....	28
5.10	GSM SETTINGS, GPRS PART.....	29
5.11	GSM SETTINGS, SMS PART .....	29
5.12	DATA ACQUISITION MODE SETTINGS .....	31
5.13	FEATURES SETTINGS.....	36
5.13.1	<i>Scenarios settings</i> .....	36
5.13.2	<i>Trip settings</i> .....	37
5.13.3	<i>Geofencing settings</i> .....	38
5.13.4	<i>SMS events</i> .....	40
5.13.4.1	<i>SMS events configuration</i> .....	42
5.14	I/O SETTINGS .....	45
5.14.1	<i>Monitoring</i> .....	48
5.14.2	<i>Event Generating</i> .....	48
5.14.3	<i>Hysteresis</i> .....	49

<b>6</b>	<b>SMS COMMAND LIST .....</b>	<b>49</b>
6.1	SMS COMMAND LIST.....	50
6.1.1	<i>getstatus</i> .....	50
6.1.2	<i>getweektime</i> .....	51
6.1.3	<i>getops</i> .....	51
6.1.4	<i>getcfgtime</i> .....	51
6.1.5	<i>getgps</i> .....	51
6.1.6	<i>ggps</i> .....	52
6.1.7	<i>getver</i> .....	52
6.1.8	<i>getinfo</i> .....	52
6.1.9	<i>getio</i> .....	53
6.1.10	<i>readio #</i> .....	53
6.1.11	<i>setdigout ## Y1 Y2</i> .....	53
6.1.12	<i>getparam ####</i> .....	53
6.1.13	<i>setparam ####</i> .....	53
6.1.13.	<i>getparam 1271 X/212 X</i> .....	53
6.1.14.	<i>setparam 1271 X/212 X</i> .....	54
6.1.15	<i>readops #</i> .....	54
6.1.16	<i>flush #,#,#,#,#,#</i> .....	54
6.1.17	<i>sn #</i> .....	54
6.1.18	<i>banlist</i> .....	54
6.1.19	<i>crashlog</i> .....	55
6.1.20	<i>lvcangetprog</i> .....	55
<b>7</b>	<b>DEBUG MODE .....</b>	<b>55</b>
<b>8</b>	<b>PARAMETER LIST .....</b>	<b>56</b>
8.1	PARAMETERS VALUE TYPES.....	56
8.2	SYSTEM PARAMETERS .....	56
8.2.1	<i>Sleep Mode (ID=1000)</i> .....	56
8.2.2	<i>Sleep timeout (ID=200)</i> .....	56
8.2.3	<i>Analog Input value range (ID=1001)</i> .....	56
8.2.4	<i>Stop Detection Source (ID=1002)</i> .....	56
8.2.5	<i>Static Navigation (ID=1003)</i> .....	57
8.2.6	<i>Saving/Sending without time synchronization (ID=201)</i> .....	57
8.2.7	<i>GNSS System (ID=202)</i> .....	57
8.2.8	<i>Ignition source (ID=1004)</i> .....	57
8.2.9	<i>Power Voltage High Level (ID=1005)</i> .....	57
8.2.10	<i>Power Voltage Low Level (ID=1006)</i> .....	57
8.2.11	<i>Enable NTP - network time synchronization (ID=1008)</i> .....	58
8.2.12	<i>GNSS fix timeout for the time synchronization (ID=1007)</i> .....	58
8.3	RECORDS PARAMETERS .....	58
8.3.1	<i>Sorting (ID=1010)</i> .....	58
8.3.2	<i>Active Data Link Timeout (ID=1011)</i> .....	58
8.3.3	<i>Server Response Timeout (ID=1012)</i> .....	59
8.4	GSM PARAMETERS .....	59
8.4.1	<i>GPRS content activation (ID=1240)</i> .....	59
8.4.2	<i>APN Name (ID=1242)</i> .....	59
8.4.3	<i>APN username (ID=1243)</i> .....	59
8.4.4	<i>APN Password (ID=1244)</i> .....	60
8.4.5	<i>Domain (ID=1245)</i> .....	60
8.4.6	<i>Target Server Port (ID=1246)</i> .....	60
8.4.7	<i>Protocol (ID=1247)</i> .....	60
8.4.8	<i>SMS Login (ID=1252)</i> .....	60
8.4.9	<i>SMS Password (ID=1253)</i> .....	60
8.4.10	<i>SMS data sending settings (ID=1250)</i> .....	61
8.4.11	<i>SMS Data send week time schedule (ID=1273)</i> .....	61
8.4.12	<i>Authorized phone numbers (ID=1260-1270)</i> .....	61

8.4.13	SMS Event PreDefined Numbers (ID=150-159).....	61
8.4.14	Operator List (ID=1271 X).....	61
8.5	DATA ACQUISITION MODES PARAMETERS.....	62
8.5.1	Home Network GSM operator code "Vehicle on STOP" parameters.....	62
8.5.1.1	Min Period (ID=1540).....	62
8.5.1.2	Min Saved Records (ID=1543).....	62
8.5.1.3	Send Period (ID=1544).....	62
8.5.1.4	GPRS Week Time (ID=1545).....	62
8.5.2	Home Network GSM operator code "Vehicle MOVING" parameters.....	63
8.5.2.1	Min Period (ID=1550).....	63
8.5.2.2	Min Distance (ID=1551).....	63
8.5.2.3	Min Angle (ID=1552).....	63
8.5.2.4	Min Speed (ID=1556).....	63
8.5.2.5	Min Speed Source (ID=1557).....	64
8.5.2.6	Min Saved Records (ID=1553).....	64
8.5.2.7	Send Period (ID=1554).....	64
8.5.2.8	GPRS Week Time (ID=1555).....	64
8.5.3	Roaming Network GSM operator code "Vehicle on STOP" parameters.....	64
8.5.3.1	Min Period (ID=1560).....	64
8.5.3.2	Min Saved Records (ID=1563).....	64
8.5.3.3	Send Period (ID=1564).....	65
8.5.3.4	GPRS Week Time (ID=1565).....	65
8.5.4	Roaming Network GSM operator code "Vehicle MOVING" parameters.....	65
8.5.4.1	Min Period (ID=1570).....	65
8.5.4.2	Min Distance (ID=1571).....	65
8.5.4.3	Min Angle (ID=1572).....	65
8.5.4.4	Min Speed (ID=1576).....	66
8.5.4.5	Min Speed Source (ID=1577).....	66
8.5.4.6	Min Saved Records (ID=1573).....	66
8.5.4.7	Send Period (ID=1574).....	66
8.5.4.8	GPRS Week Time (ID=1575).....	66
8.5.5	Unknown Network GSM operator code "Vehicle on STOP" parameters.....	66
8.5.5.1	Min Period (ID=1580).....	66
8.5.5.2	Min Saved Records (ID=1583).....	67
8.5.5.3	Send Period (ID=1584).....	67
8.5.5.4	GPRS Week Time (ID=1585).....	67
8.5.6	Unknown Network GSM operator code "Vehicle MOVING" parameters.....	67
8.5.6.1	Min Period (ID=1590).....	67
8.5.6.2	Min Distance (ID=1591).....	67
8.5.6.3	Min Angle (ID=1592).....	67
8.5.6.4	Min Speed (ID=1596).....	68
8.5.6.5	Min Speed Source (ID=1597).....	68
8.5.6.6	Min Saved Records (ID=1593).....	68
8.5.6.7	Send Period (ID=1594).....	68
8.5.6.8	GPRS Week Time (ID=1595).....	68
8.6	FEATURES PARAMETERS.....	69
8.6.1	Digital Output No.1 usage scenarios (ID=1600).....	69
8.6.1	Max Acceleration Force (ID=1602).....	69
8.6.2	Max Braking Force (ID=1603).....	69
8.6.3	Max Cornering Force (ID=1604).....	69
8.6.4	Max allowed Speed (ID=1605).....	69
8.6.5	Digital Output No.2 usage scenarios (ID=1601).....	70
8.6.6	Trip (ID=1280).....	70
8.6.7	Start Speed (ID=1281).....	70
8.6.8	Ignition Off Timeout (ID=1282).....	70
8.6.9	Trip Continuous distance counting (ID=1283).....	70
8.6.10	Geofencing.....	70
8.6.10.1	Frame border (ID=1020).....	70
8.6.10.2	Geofence Zone #1 Shape (ID=1030).....	71
8.6.10.3	Geofence Zone #1 Priority (ID=1031).....	71
8.6.10.4	Geofence Zone #1 Generate Event (ID=1032).....	71
8.6.10.5	Geofence Zone #1 Longitude (X1) (ID=1033).....	71

8.6.10.6	Geofence Zone #1 Latitude (Y1) (ID=1034)	71
8.6.10.7	Geofence Zone #1 Longitude (X2) (ID=1035)	71
8.6.10.8	Geofence Zone #1 Latitude (Y2) (ID=1036)	72
<b>8.6.11</b>	<b>AutoGeofencing</b>	<b>72</b>
8.6.11.1	Enable/Disable (ID=1101)	72
8.6.11.2	Activation Timeout (ID=1102)	72
8.6.11.3	Deactivate by (ID=1100)	72
8.6.11.4	AutoGeofence event Priority (ID=1103)	73
8.6.11.5	AutoGeofence event generating (ID=1104)	73
8.6.11.6	Radius (ID=1105)	73
<b>8.6.12</b>	<b>iButton List (ID=1610-1659)</b>	<b>73</b>
<b>8.7</b>	<b>I/O PARAMETERS</b>	<b>73</b>
8.7.1	I/O#1 property parameter (ID=1300)	73
8.7.2	I/O#1 priority (ID=1301)	73
8.7.3	I/O#1 High level (ID=1302)	74
8.7.4	I/O#1 Low level (ID=1303)	74
8.7.5	I/O#1 logic operand (ID=1304)	74
8.7.6	I/O#1 averaging length (ID=1305)	74
<b>8.8</b>	<b>SMS EVENT CONFIGURATION</b>	<b>77</b>
8.8.1	I/O#1 element SMS event configuration (ID=100)	77
<b>9</b>	<b>FM1100 WITH LV-CAN200 AND ALL-CAN300 CAN ADAPTERS</b>	<b>78</b>
9.1	PURPOSE OF CAN ADAPTERS LV-CAN200 AND ALL-CAN300	78
9.2	LV-CAN200 AND ALL-CAN300 PROGRAM NUMBER SELECTION	79
9.2.1	LV-CAN200 and ALL-CAN300 program number configuration via SMS command.	79
9.2.2	Selecting LV-CAN200 and ALL-CAN300 program number manually	79
9.3	CONNECTING FM1100 CAN ADAPTERS ALL-CAN300 AND LV-CAN200	80
9.4	FM11 CONFIGURATION	82
9.5	PARAMETERS ID	85
9.6	SMS CONFIGURATION	91
9.7	CAN PROGRAM NUMBER REQUEST BY SMS	92
9.8	GET CAN INFO BY SMS	93
<b>10</b>	<b>MOUNTING RECOMMENDATIONS</b>	<b>93</b>
10.1	CONNECTING WIRES	93
10.2	CONNECTING POWER SOURCE	93
10.3	CONNECTING IGNITION WIRE	93
10.4	CONNECTING GROUND WIRE	93
<b>11</b>	<b>CHANGE LOG</b>	<b>96</b>

## 1 INTRODUCTION

### 1.1 Attention



Do not disassemble the device. If the device is damaged, the power supply cables are not isolated or the isolation is damaged, before unplugging the power supply, do not touch the device.



All wireless data transferring devices produce interference that may affect other devices which are placed nearby.



The device must be connected only by qualified personnel.



The device must be firmly fastened in the predefined location.



The programming must be performed using a second class PC (with autonomic power supply).



The device is susceptible to water and humidity.



Any installation and/or handling during a lightning storm are prohibited.



FM1120 has USB interface;  
Please use cables provided with FM1120 device.  
Teltonika is not responsible for any harm caused by using wrong cables for PC <-> FM1120 connection.

### 1.2 Instructions of safety

This chapter contains information on how to operate FM1120 safely. By following these requirements and recommendations, you will avoid dangerous situations. You must read these instructions carefully and follow them strictly before operating the device!

The device uses a 10 V...30 V DC power supply. The nominal voltage is 12 V DC. The allowed range of voltage is 10 V...30 V DC.

To avoid mechanical damage, it is advised to transport the FM1120 device in an impact-proof package. Before usage, the device should be placed so that its LED indicators are visible, which show the status of operation the device is in.

When connecting the connection (2x5) cables to the vehicle, the appropriate jumpers of the power supply of the vehicle should be disconnected.

Before dismounting the device from the vehicle, the 2x5 connection must be disconnected.

The device is designed to be mounted in a zone of limited access, which is inaccessible for the operator. All related devices must meet the requirements of standard EN 60950-1.

The device FM1120 is not designed as a navigational device for boats.

### **1.3 Legal Notice**

Copyright © 2014 Teltonika. All rights reserved. Reproduction, transfer, distribution or storage of part or all of the contents in this document in any form without the prior written permission of Teltonika is prohibited.

Other products and company names mentioned here may be trademarks or trade names of their respective owners.

The manufacturer reserves the right to make changes and/or improvements at any time in design, functionality, parameters and electrical characteristics without any prior notice and without incurring obligations.

### **1.4 About document**

This document contains information about the architecture, possibilities, mechanical characteristics, and configuration of the FM1120 device.

Acronyms and terms used in document

PC – Personal Computer.

GPRS – General Packet Radio Service

GPS – Global Positioning System

GSM – Global System for Mobile Communications

SMS – Short Message Service

AC/DC – Alternating Current/Direct Current

I/O – Input/Output

Record – AVL data stored in FM1120 memory. AVL data contains GPS and I/O information

AVL packet - data packet that is being sent to server during data transmission. AVL packet contains from 1 to 50 records.

## **2 BASIC DESCRIPTION**

FM1120 is a terminal with GPS and GSM connectivity, which is able to determine the object's coordinates and transfer them via the GSM network. This device is perfectly suitable for applications, which need location acquirement of remote objects. It is important to mention that FM1120 has additional inputs and outputs, which let you control and monitor other devices on remote objects. FM1120 also has a USB port for device status log output and entering configurations.

### **2.1 Package contents<sup>1</sup>**

The FM1120 device is supplied to the customer in a cardboard box containing all the equipment that is necessary for operation. The package contains:

FM1120 device;

Input and output power supply cable with a 2x5 connection pins;

USB cable;

A card containing URL to download FM1120 device drivers and Configurator software.

170mAh Li-ion rechargeable 3,7V battery

### **2.2 Basic characteristics**

GSM / GPRS features:

- Teltonika TM11Q quad band module (GSM 850 / 900 / 1800 / 1900 MHz);

---

<sup>1</sup> Package content depends on Order Code, and can be customized by customer needs.



- GPRS class 10;
- SMS (text, data).

GNSS features:

- TG3300 32 channel (or equivalent) receiver;
- Up to -161 dBm sensitivity.

Hardware features:

- Cortex®-M3 processor;
- 1 MB internal Flash memory;
- Built-in accelerometer.
- 170mAh Li-ion rechargeable 3,7V battery

Interface features:

- Power supply: 10 ÷ 30V;
- USB port;
- 3 digital inputs;
- 1 analog input;
- 2 open collector digital outputs;
- 1Wire® temperature sensor
- 1Wire® iButton
- LEDs indicating device status.

Special features:

- Any element event triggers (external sensor, input, speed, temperature, etc.);
- Highly configurable data acquisition and sending;
- Multiple Geo-fence areas;
- Sleep mode;
- Deep sleep mode;
- Configurable scenarios available;
- Real-time process monitoring;
- Authorized number list for remote access;
- Firmware update over GPRS or USB port;
- Configuration update over GPRS, SMS or USB port;
- TCP/IP or UDP/IP protocol support;
- 3500 record storing.

Overvoltage protection (new devices with order code FM1120 Vxxxxx):

Description	Voltage	Duration
Normal operation	10-30V	Unlimited
Protection turns on, device turns off.	34V	Unlimited
Maximum voltage	<70V	Unlimited
Maximum voltage impulse	90V	5 mili seconds



### 2.3 Technical features

Part name	Physical specification
Navigation LED	LED
Modem LED	LED
Socket 2x5	Tyco Micro MATE-N-LOK™ 4-794628-0 or similar
USB	Mini USB socket

Technical details
Power supply 10...30 V DC 2W Max
Energy consumption <sup>1</sup> :
GPRS: --- 150 mA r.m.s Max., Nominal: --- average 65 mA r.m.s, GPS Sleep: --- average 28 mA, Deep Sleep: --- average less than 2 mA <sup>2</sup>
Battery charge current: --- average 100 mA,
Operation temperature: -25°C ... +55°C
Storage temperature: -40°C ... +70°C
Storage relative humidity 5 ... 95 % (no condensation)

Table 1. FM1120 specifications

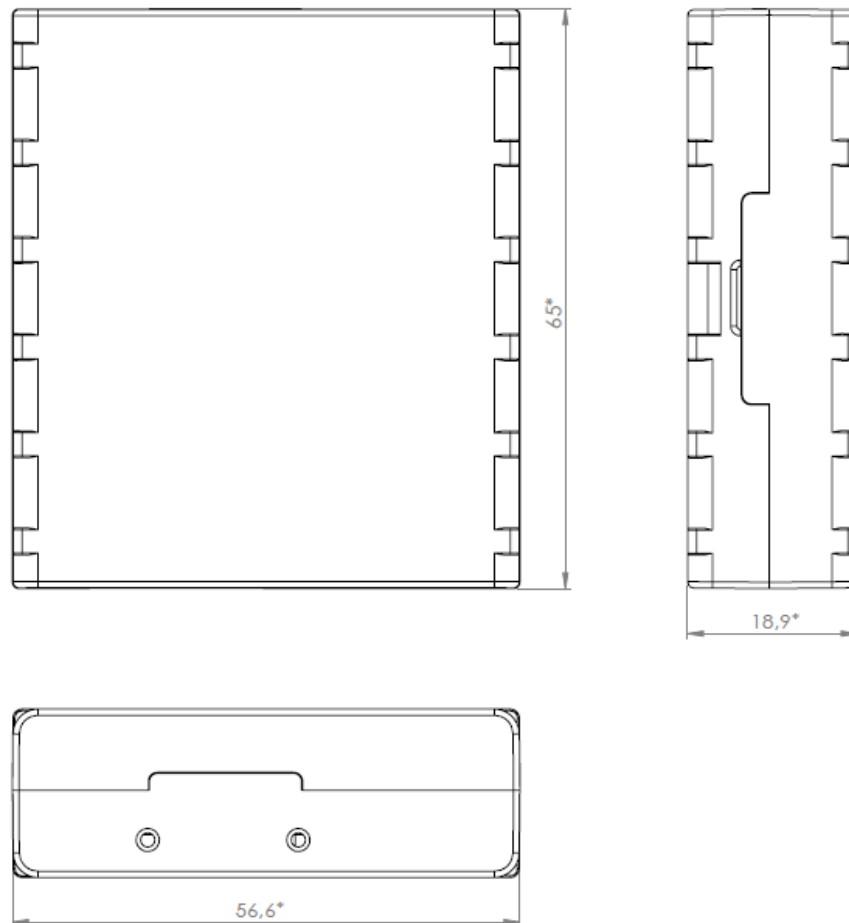


Figure 1 FM1120 view & dimensions (tolerance  $\pm 2\text{mm}$ )

<sup>1</sup> Energy consumption has been tested at 12V voltage with no battery charging.

<sup>2</sup> When in Deep Sleep mode no data storing and sending is activated.

## 2.4 Technical Information about internal battery

FM1120 internal battery is used for detecting external voltage disconnection.

Internal back-up battery	Battery voltage V	Nominal capacity (mAh)	Power(Wh)
Li-Polymer rechargeable battery	3.75~3.90	≥170	0.64 - 0.66

## 2.5 Electrical characteristics

CHARACTERISTIC DESCRIPTION	VALUE	Min.	Typ.	Max.	Unit
<b>Supply Voltage:</b>					
Supply Voltage (Recommended Operating Conditions)		10		30	V
<b>Digital Output (Open Drain grade):</b>					
Drain current (Digital Output OFF)				120	uA
Drain current (Digital Output ON, Recommended Operating Conditions)				300	mA
Static Drain-Source resistance (Digital Output ON)				300	mOhm
<b>Digital Input:</b>					
Input resistance (DIN1, DIN2, DIN3)		15			kOhm
Input Voltage (Recommended Operating Conditions)		0		Supply voltage	V
Input Voltage threshold (DIN1)			7,5		V
Input Voltage threshold (DIN2, DIN3)			2,5		V
<b>Analog Input:</b>					
Input Voltage (Recommended Operating Conditions), Range1		0		10	V
Input resistance, Range1			120		kOhm
Measurement error			1,43		%
Additional error			±12		mV
Input Voltage (Recommended Operating Conditions) Range2		0		30	V
Input resistance, Range2			146,7		kOhm
Measurement error			1,75		%
Additional error			±36		mV
<b>Output Supply Voltage 1-Wire:<sup>3</sup></b>					

<sup>3</sup> 1-wire Supply voltage PIN is dedicated for 1-wire devices ONLY, do not use it for any other purpose.

Supply Voltage	3,3		3,6	V
Output inner resistance		7		Ohm
Output current ( $U_{out} > 3.0V$ )		30		mA
Short circuit current ( $U_{out} = 0$ )		130		mA



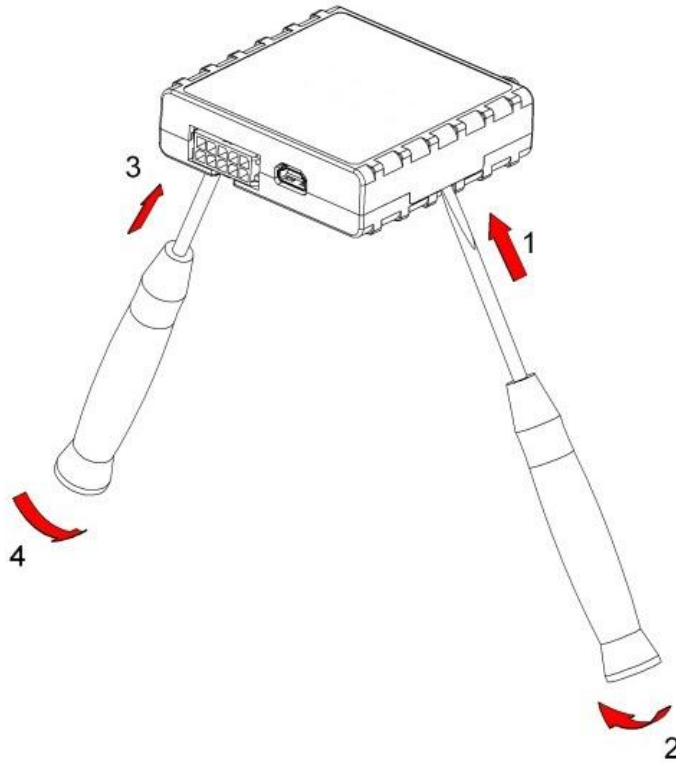
Note: Analog Input error margin can increase if temperature varies. If Analog input is not connected FM1120 will still measure certain numbers and it cannot be 0. This measurement is influenced by hardware components.

## 2.6 Absolute Maximum Ratings

CHARACTERISTIC DESCRIPTION	VALUE	Min.	Typ.	Max.	Unit
Supply Voltage (Absolute Maximum Ratings)		-32		32	V
Drain-Source clamp threshold voltage (Absolute Maximum Ratings), ( $I_{drain} = 2mA$ )				36	V
Digital Input Voltage (Absolute Maximum Ratings)		-32		32	V
Analog Input Voltage (Absolute Maximum Ratings)		-32		32	V

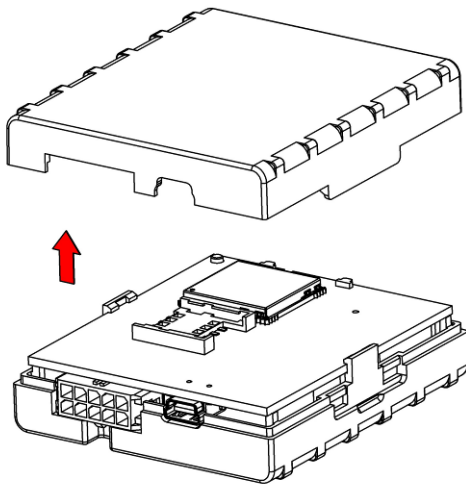
### 3 CONNECTION, PINOUT, ACCESSORIES

#### 3.1 How to insert SIM card into FM1120 device:



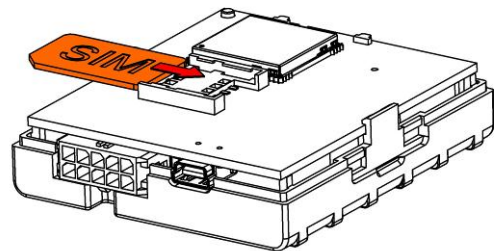
①

Gently open FM1120 case using screwdrivers



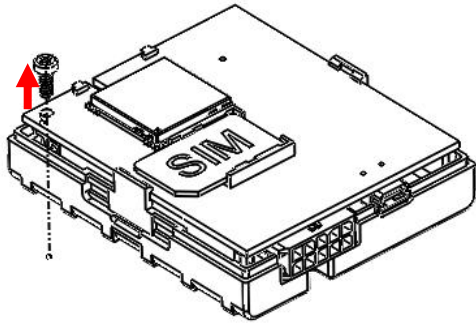
②

Remove FM1120 case



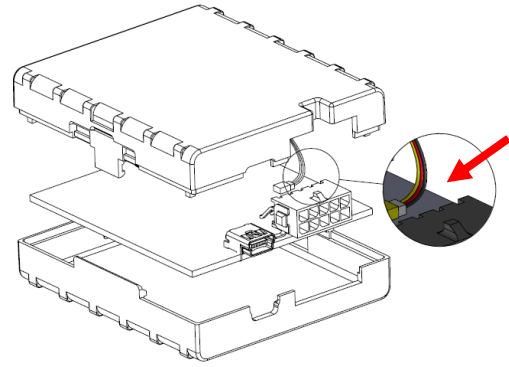
③

Insert SIM card as shown



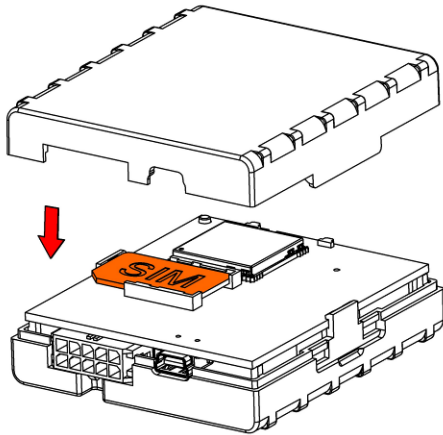
④

Unscrew antenna holding screw



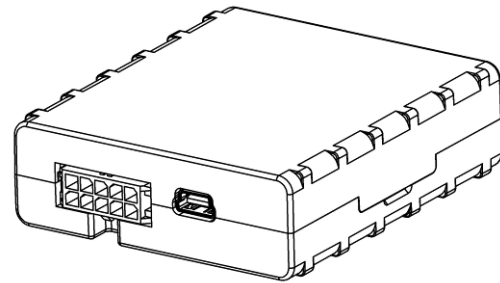
⑤

Insert battery wire to connector



⑥

Attach top housing cover



⑦

Device is ready

### 3.2 Installing FM1120 drivers

#### Software requirements:

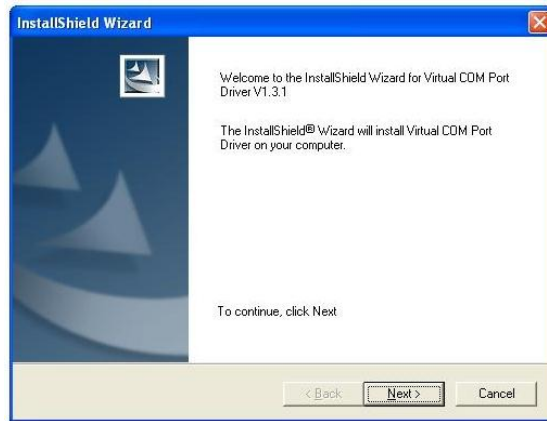
- Operating system 32-bit and 64-bit: Windows XP with SP3 or later, Windows Vista, Windows 7.
- MS .NET Framework V3.5 or later (<http://www.microsoft.com>).

#### Drivers:

Please download Virtual COM Port drivers from Teltonika website:  
[http://avl1.teltonika.lt/downloads/FM11YX/vcpdriver\\_v1.3.1\\_setup.zip](http://avl1.teltonika.lt/downloads/FM11YX/vcpdriver_v1.3.1_setup.zip)

#### Installing drivers:

Extract and run VCPDriver\_V1.3.1\_Setup.exe. This driver is used to detect FM1120 device connected to the computer. Click 'Next' in driver installation window (figures below):



**Figure 2 Driver installation window**

This will launch device driver installation wizard. In the following window click 'Next' button again:



**Figure 3 Driver installation window**

Setup will continue installing drivers and will display a window about successful process at the end. Click 'Finish' to complete setup:



**Figure 4 Driver installation window**

You have now installed drivers for FM1120 device successfully.

### 3.3 Navigate LED

Behaviour	Meaning
Permanently switched on	GPS signal is not received
Blinking every second	Normal mode, GPS is working
Off	GPS is turned off because: <ul style="list-style-type: none"> <li>• Deep sleep mode</li> </ul> Or <ul style="list-style-type: none"> <li>• GPS module is turned off</li> </ul>

### 3.4 Status LED

Behaviour	Meaning
Blinking every second	Normal mode
Blinking every 2 seconds	Deep sleep mode
Blinking fast for a short time	Modem activity
Blinking fast constantly	Boot mode
Off	<ul style="list-style-type: none"> <li>• Device is not working</li> </ul> Or <ul style="list-style-type: none"> <li>• Device firmware being flashed</li> </ul>

### 3.5 Socket 2x5

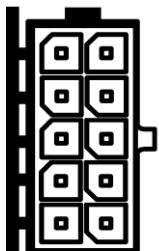
DIN 1 (IGNITION)	5		10	Ucc_DALLAS
DIN 2	4		9	DIN 3
OUT 1	3		8	DATA_DALLAS
OUT 2	2		7	AIN 1
VCC (10÷30)V DC (+)	1		6	GND (VCC (10÷30)V DC) (-)

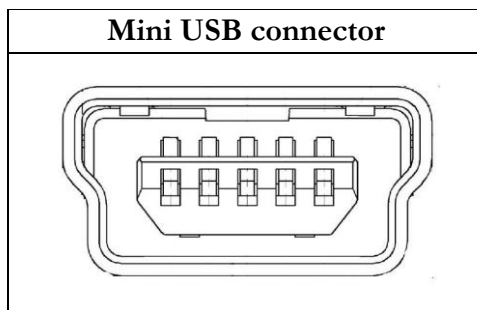
Figure 5 2x5 socket pinout



Pin Nr.	Pin Name	Description
1	VCC (10÷30)V DC (+)	Power supply for module. Power supply range (10...30) V DC
2	OUT 2	Digital output. Channel 2. Open collector output. Max. --- 300mA.
3	OUT 1	Digital output. Channel 1. Open collector output. Max. --- 300mA.
4	DIN 2	Digital input, channel 2
5	DIN 1	Digital input, channel 1 DEDICATED FOR IGNITION INPUT
6	GND(VCC(10÷30)V DC)(-)	Ground pin. (10÷30)V DC ( - )
7	AIN 1	Analog input, channel 1. Input range: 0-30V/0-10V DC
8	DATA_DALLAS	Data channel for Dallas 1-Wire® devices
9	DIN 3	Digital input, channel 3
10	Ucc_DALLAS	+ 3,8 V output for Dallas 1-Wire® devices. (max 20mA)

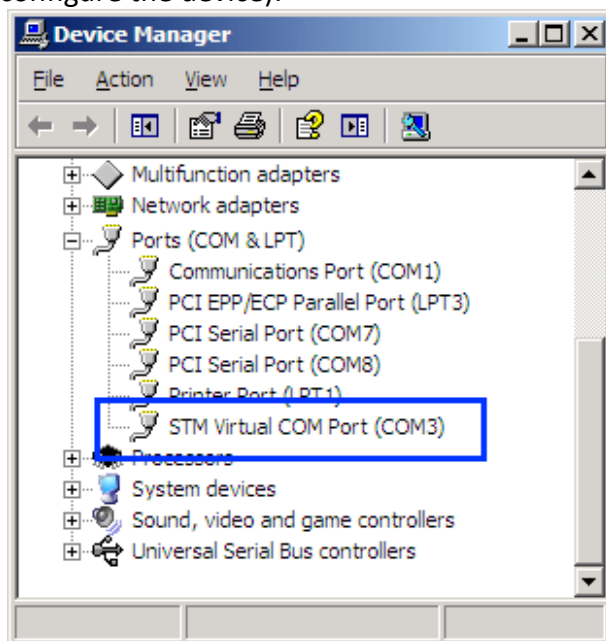
**Table 2. Socket 2x5 pinout description**

### 3.6 USB



**Figure 6 Mini USB type B connector**

FM1120 connected to PC creates an STM Virtual COM Port, which can be used as a system port (to flash firmware and configure the device):



**Figure 7 COM-Ports**

### 3.7 Accessories



Note: Teltonika does not provide any additional equipment like panic buttons, door sensors or others.

#### 1 – Wire devices

One of the realized features FM1120 is 1-Wire<sup>®</sup> data protocol, which enables connection of thermometer (DS1820, DS18S20 and DS18B20) and I-Button type: [DS1990A](#) (Figures 8 and 9 show FM1120 and 1-wire<sup>®</sup> device connection schemes).

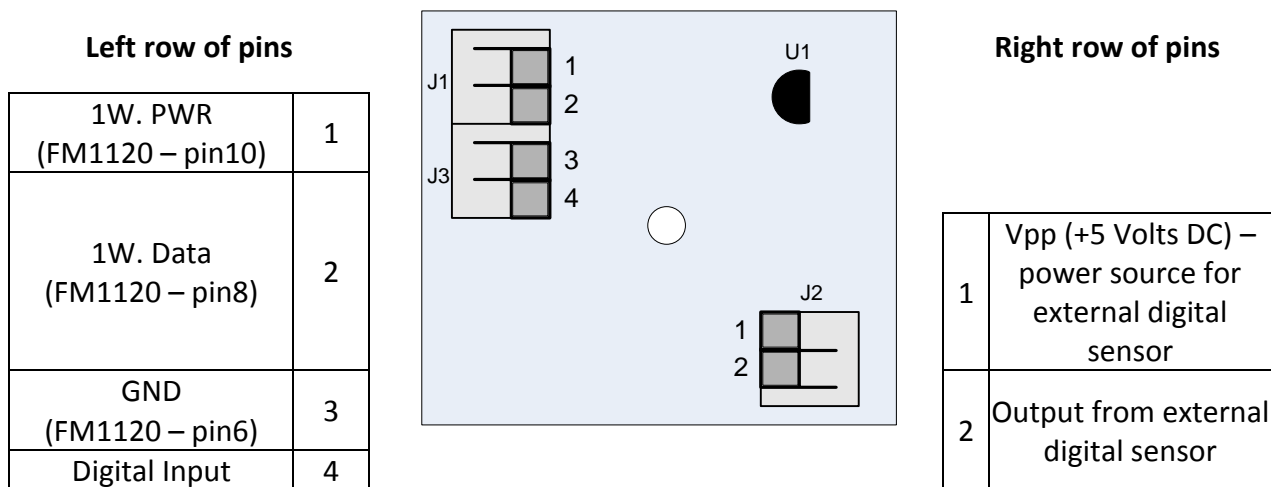
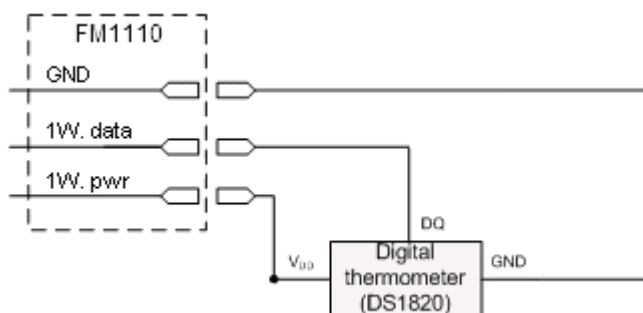


Figure 8 Digital thermometer DS1820 and TTI100 connection scheme

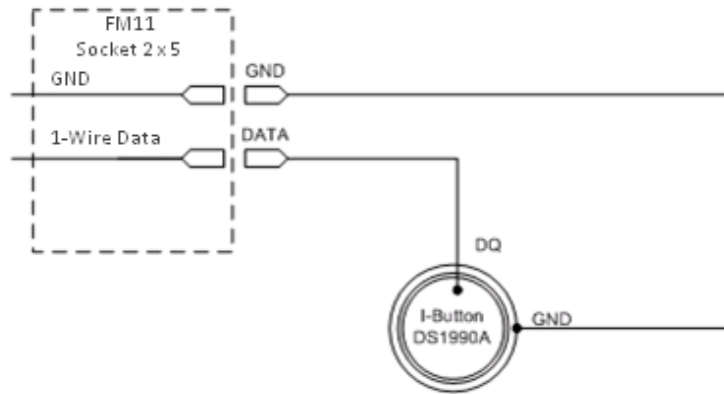


Figure 9 I-Button DS1990A connection scheme

### Fuel Tank sensors

A fuel tank level sensor exists in most cars, which shows the approximate fuel level in the driver's indicator panel. It is possible to connect FM1120 Analog input to it (if sensor returns analogue signal proportional to fuel level). Figure shows the connection scheme to the FM1120 and fuel tank sensor. After the connection to the tank fuel level sensor, calibration is needed. Calibration is needed because most fuel tank sensors are not linear. Calibration is performed by measuring voltage dependence on volume of fuel in tank.

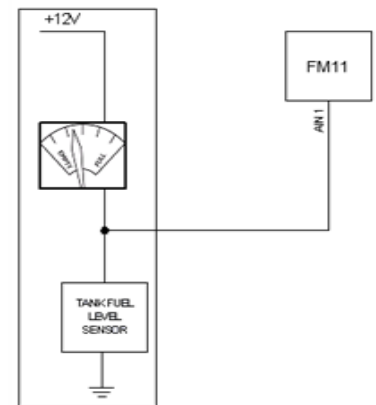


Figure 10 Fuel sensor scheme

### Alarm buttons, door sensors, etc.

Alarm buttons, door sensors, ignition, etc. return two states: high or low voltage. Digital inputs are used to read this information. Figure below shows how to connect alarm button, door sensor, etc.

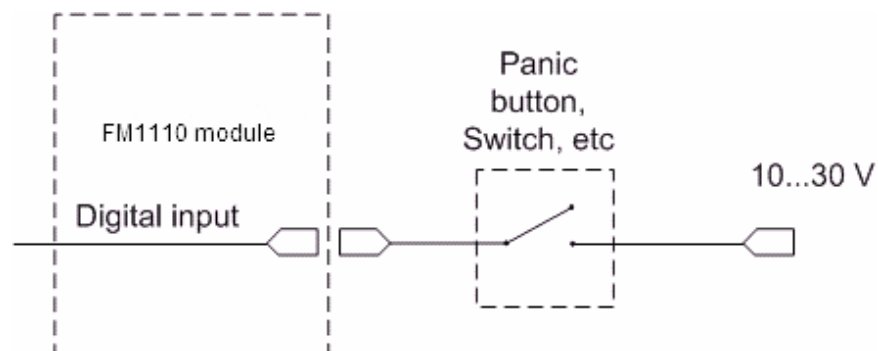


Figure 11 Panic button connection

In cases when sensor output signal is negative, an additional relay has to be installed to convert negative signal to positive.

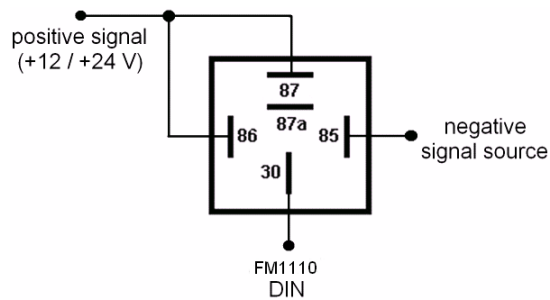


Figure 12 Inverting relay connection

### Immobilizer relay

When connected as shown below, FM1120 disables engine starter when output is ON. More details about relays can be found below.

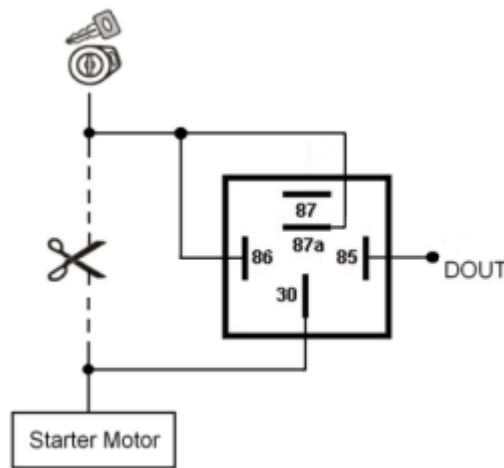


Figure 13 Immobilizer relay connection

### Relays

An ordinary automotive relay is used to invert input signal or to immobilize engine starter. Note, that they are available as 12 V or 24 V.

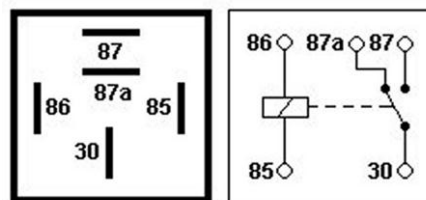


Figure 14 Automotive relay pinout

## 4 FIRMWARE

### 4.1 Updating firmware using USB cable

FM1120 functionality is always improving, new firmware versions are developed. Current module firmware version can be retrieved from Configurator.

Connect FM1120 to PC with the USB cable. Launch “Firmware Updater”, select COM port to which device is connected, click connect, and when IMEI and Firmware version fields are filled, start the update. Device needs some time to send IMEI and Firmware version, so do not be afraid if IMEI will not show up immediately, disconnect and after 1-2 minutes try to connect again. When starting update device will open link with updater. With link open device downloads firmware and starts installing. Wait thru all these screens as in **Figure 16** for firmware to update. Update process may take up to several minutes.

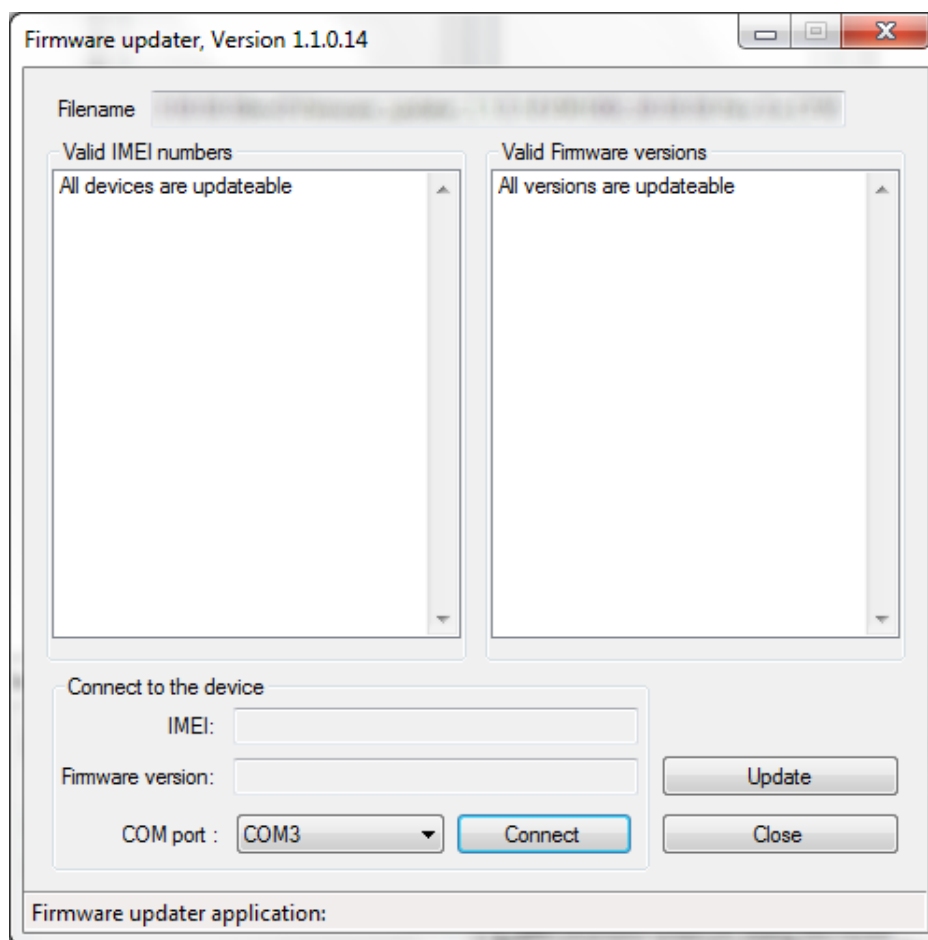
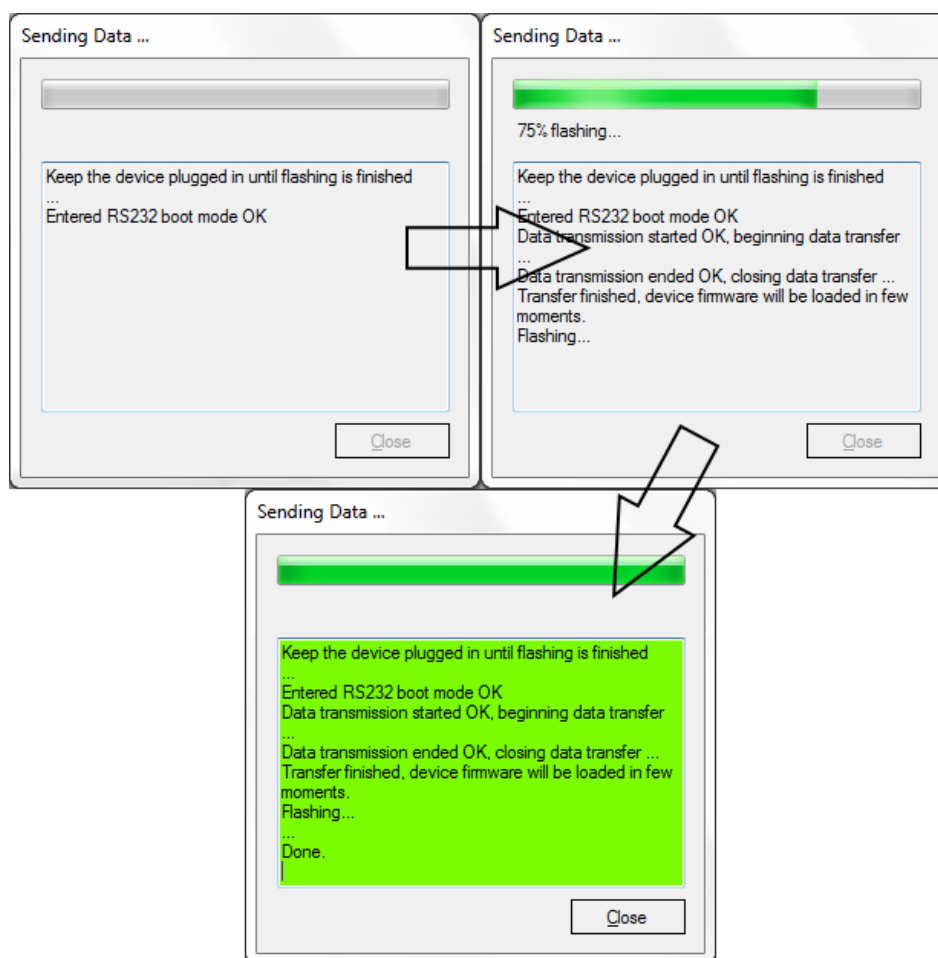


Figure 15 FM1120 firmware updater screen



**Figure 16 Firmware updating processes**

When you see a green table like in **Figure 16**, it means that the firmware is flashed to FM1120 successfully. You may now close the update window and start using your FM1120 device.

## 5 OPERATIONAL BASICS

### 5.1 Operational principals

FM1120 module is designed to acquire records and send them to the server. Records contain GNSS data and I/O information. Module uses GNSS receiver to acquire GNSS data and is powered with four data acquire methods: time-based, distance-based, angle-based and speed-based method. Note, that if FM1120 loses connection to GNSS satellites, it continues to make records, however coordinate in these records remains the same (last known coordinate). Method's details are described in section 5.12. All data is stored in flash memory and later can be sent via GPRS or SMS. GPRS mode is the most preferred data sending mode. SMS mode is mostly used in areas without GPRS coverage or GPRS usage is too expensive.

GPRS and SMS settings are described in later sections. FM1120 communicates with server using special data protocol. Data protocol is described in device protocols documentation.

FM1120 can be managed by SMS commands. SMS Command list is described in SMS COMMAND LIST section. Module configuration can be performed over TCP or via SMS. Configuration parameters and modes are described in device protocols documentation. Please contact Teltonika sale manager to find out more about protocols documentation purchase.

## 5.2 Sleep modes

### 5.2.1 Sleep mode

FM1120 is able to go to sleep mode after configurable Sleep timeout. This timeout (defined period) starts counting when device is in STOP mode. After timeout is reached and all conditions for sleep mode are met, device goes to sleep mode. While in sleep mode, FM1120 turns GPS module off and it is not making new periodic records. Only event records is being recorded with last known coordinate and sent to AVL server. As a result power usage decreases allowing saving vehicle battery.

FM1120 can enter sleep mode if **ALL** of these conditions are met:

- FM1120 has to be configured to work in Sleep mode and Sleep timeout is reached;
- Device must be synchronized time with GPS satellites;
- No movement by movement sensor is detected;
- Ignition (configured Ignition Source) is off;
- USB cable detached;

FM1120 exits sleep mode when if **ONE** of following conditions are true:

- Movement by movement sensor is detected;
- Ignition (configured Ignition Source) is turned on;
- USB cable is connected;

### 5.2.2 Deep Sleep mode

While in deep sleep mode, FM1120 sets GPS receiver to sleep mode and turns off GSM/GPRS module (it is not possible to wake up device via SMS). Despite records with last known coordinate are being saved and send to AVL server (GSM/GPRS module is turned on to send data and after that it is turned off again), power usage is decreased to save vehicle's battery. Note, that power saving depends on two configurable parameters: send period and min. record saving period.

FM1120 can enter deep sleep mode if **ALL** of these conditions are met:

- FM1120 has to be configured to work in Deep Sleep mode and Sleep timeout set;
- Device must be synchronized time with GPS satellites;
- No movement by movement sensor is detected;
- Ignition (configured Ignition Source) is off;
- USB cable detached;
- "Min. Record Saving Period" (Data Acquisition Mode settings) must be bigger value than "Sleep timeout" plus "Active Data Link Timeout" parameter.
- "Send period" (Data Acquisition Mode settings) must be bigger value than "Sleep timeout" plus "Active Data Link Timeout" parameter.

FM1120 exits deep sleep mode when if **ONE** of following conditions are true:

- Movement by movement sensor is detected;
- Ignition (configured Ignition Source) is turned on;
- USB cable is connected;





Note: In order to save GPRS traffic records saved in deep sleep mode do not contain below listed I/O elements information:  
PDOP, HDOP, Odometer, Speedometer, iButton ID, Cell ID, Area Code, Temperature and GPS power

### 5.3 Virtual odometer

Virtual odometer is used to calculate traveled distance in FM1120 as a separate I/O element. When FM1120 detects movement, it starts counting distance using GPS signal: every second it checks current location and calculates distance between current and previous point. It keeps adding these intervals until it is time to make a record, then FM1120 records its location and adds odometer value, which is equal to the sum of all distances, measured every second. When record is made, odometer resets to zero and distance calculation starts all over again.

Virtual odometer as an I/O element can be also used with Trip feature, read chapters 5.4.2 and 5.13.2 for more details.

### 5.4 Features

Using available features can greatly increase FM1120 usability options.

#### 5.4.1 Scenarios

Four scenarios are available on FM1120 device.

Digital Output No.1 is used by scenarios - Green Driving, Over Speeding or Jamming detection;

Digital Output No.2 is used by scenarios - Authorized Driving or Immobilizer.

**Green Driving Scenario.** Helps to prevent and inspect driver about harsh driving. Scenario continuously monitors: accelerating force, braking force and cornering angles. Warns driver if needed. DOUT1 is controlled by scenario for user needs, for example buzzer or LED.

To save GPRS traffic Green Driving **event** will be **generated (included into sent records) only** when FM1120 measured values are higher than those set in configuration, without additional I/O settings.

To prevent generating false events, harsh acceleration and harsh braking is monitored only when following conditions are fulfilled:

- Ignition is ON (configured Ignition Source = 1)
- Vehicle speed is equal or higher than 10km/h

Harsh cornering is monitored only when following conditions are fulfilled:

- Ignition is ON (configured Ignition Source = 1)
- Vehicle speed is equal or higher than 30km/h



Note: Green Driving Scenario is a factor on various cars and various drivers testing phase and can be subject to changes. Teltonika is constantly working on improvement of the functionality of the devices, and strongly recommends using the latest version of the firmware.

**Over Speeding Scenario.** Helps to prevent from exceeding fixed speed and inspects driver if needed. DOUT1 is controlled by scenario for user needs, to manage buzzer, LED, etc.

**Jamming scenario.** Radio jamming is the (usually deliberate) transmission of radio signals that disrupt communications by decreasing the signal to noise ratio. When jamming detection is enabled, FM1120 informs (with buzzer or LED, connected to DOUT1) driver about jamming event.

**Authorized Driving Scenario.** Gives ability to use vehicle only for 50 specific iButton owners (specified in iButton list). DOUT2 is controlled by scenario for user needs, to manage buzzer, LED, etc.



Note: In order for Authorized driving to work properly, at least 1 iButton ID must be written to the iButton list.

**Immobilizer Scenario.** Vehicle can be used only if iButton is connected. In this scenario iButton list is not used; connect any iButton to pass Immobilizer security. DOUT2 is controlled by scenario for user needs, to manage buzzer, LED, etc.

#### 5.4.2 Trip

Trip customizable feature enables user extended monitoring of performed trips (from engine start at present location to engine stop at arrived location), log their start and stop points, view driven total distance<sup>4</sup>. Event will be **generated (included into send records) only** when trip starts and finishes.



Note: Scenarios and Trip features are activated (DOUTs are activated) only if configured Ignition Source=1 (ignition is on).

#### 5.4.3 Geofencing

Geofencing is another feature which is highly customizable and can detect wherever car enters or leaves customized areas. More about Geofencing can be read in 5.13.3 chapter.

Auto Geofencing feature if enabled is activated automatically by turning off car ignition (configured Ignition Source). Next time before driving user has to disable Auto Geofencing with iButton or by turning on ignition. In case of theft car leaves Auto Geofencing zone without authorization FM1120 device automatically sends high priority record to AVL application.

#### 5.4.4 iButton list

iButton list is used to enter authorized iButton ID codes, which are used to authenticate driver in Authorized driving and Auto Geofencing options.

---

<sup>4</sup> Continuous odometer – total driven distance, works only in TRIP mode. Continues distance is counted only for ONE trip. If trip is finished (stop point is detected), odometer resets to 0 (zero). Next trip will start counting from the beginning.

## 5.5 CONFIGURATION

### 5.6 Configurator

New FM1120 module has default factory settings. Settings should be changed according to your application and your GSM operator information.

FM1120 configuration is performed via FM1120 Configurator program. FM1120 Configurator version can be downloaded from <http://avl1.teltonika.lt/downloads/FM11YX/>. Contact sales manager to get the latest FM1120 Configurator version. FM1120 configurator operates on Microsoft Windows OS and uses MS .Net Framework 3.5 or higher. Please ensure that MS .Net Framework 3.5 or later is installed on your PC before starting configurator. Latest MS .Net Framework version can be downloaded from official Microsoft web page.

Module configuration is performed over USB cable. Configuration process starts from starting FM1120 Configurator program and then connecting to FM1120 device via Connect button located on the top left corner of configurator. If connected successfully IMEI, Version fields which were empty, now are filled with certain numbers depending on Modem IMEI and firmware version of your device (figure below).

FM1120 has one user editable profile, which can be loaded from device, and saved. User can also revert to default settings, by pressing Load Defaults button. After any modification of configuration settings it has to be saved to FM1120 device, otherwise it will not be written to device.

FM1120 has 2 configuration modes: Recommended Configuration (Figure 17) and Advanced Configuration (Figure 18).

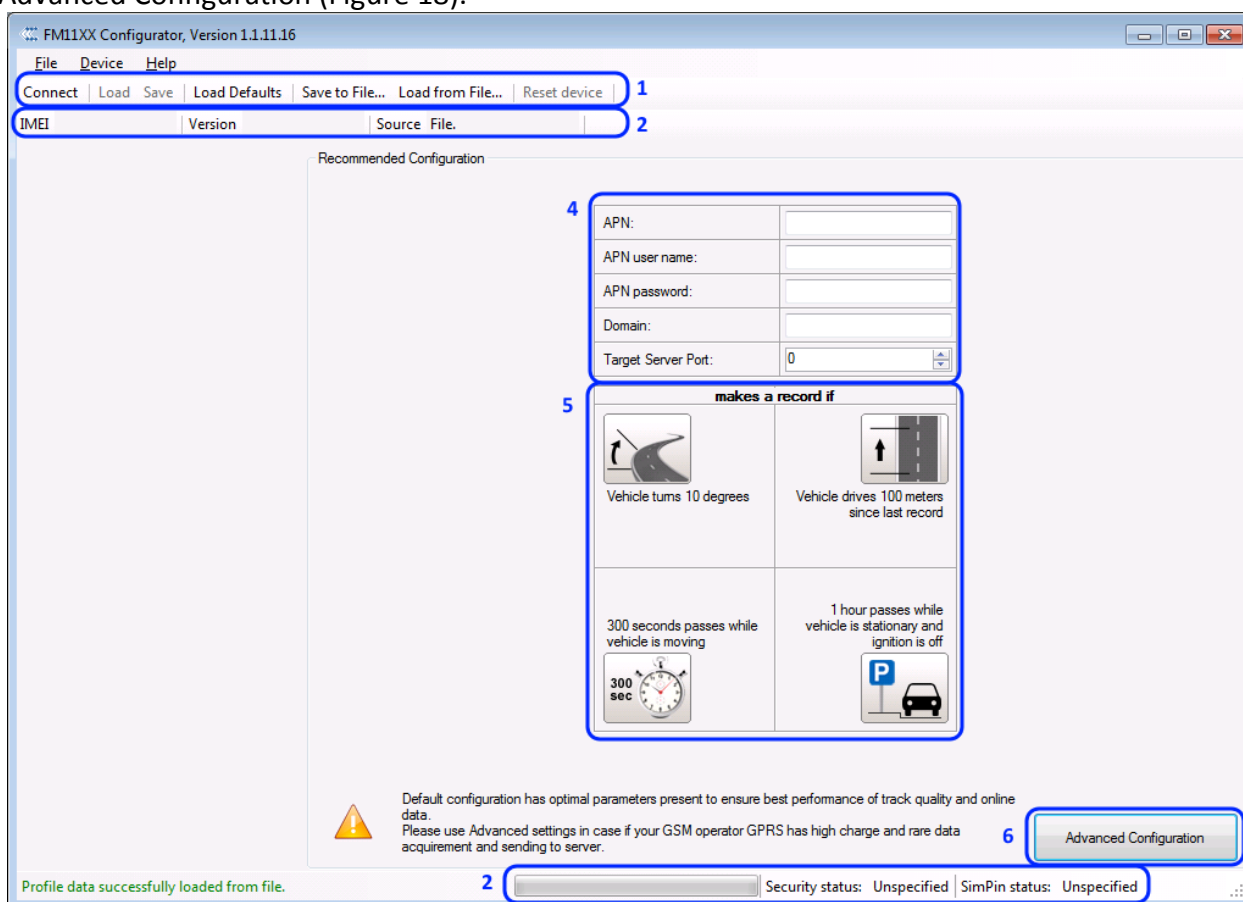


Figure 17 Recommended Configuration window

Recommended Configuration mode uses predefined data acquisition values. In this configuration mode it is only required to enter network parameters. In Advanced Configuration mode FM1120 is more configurable.

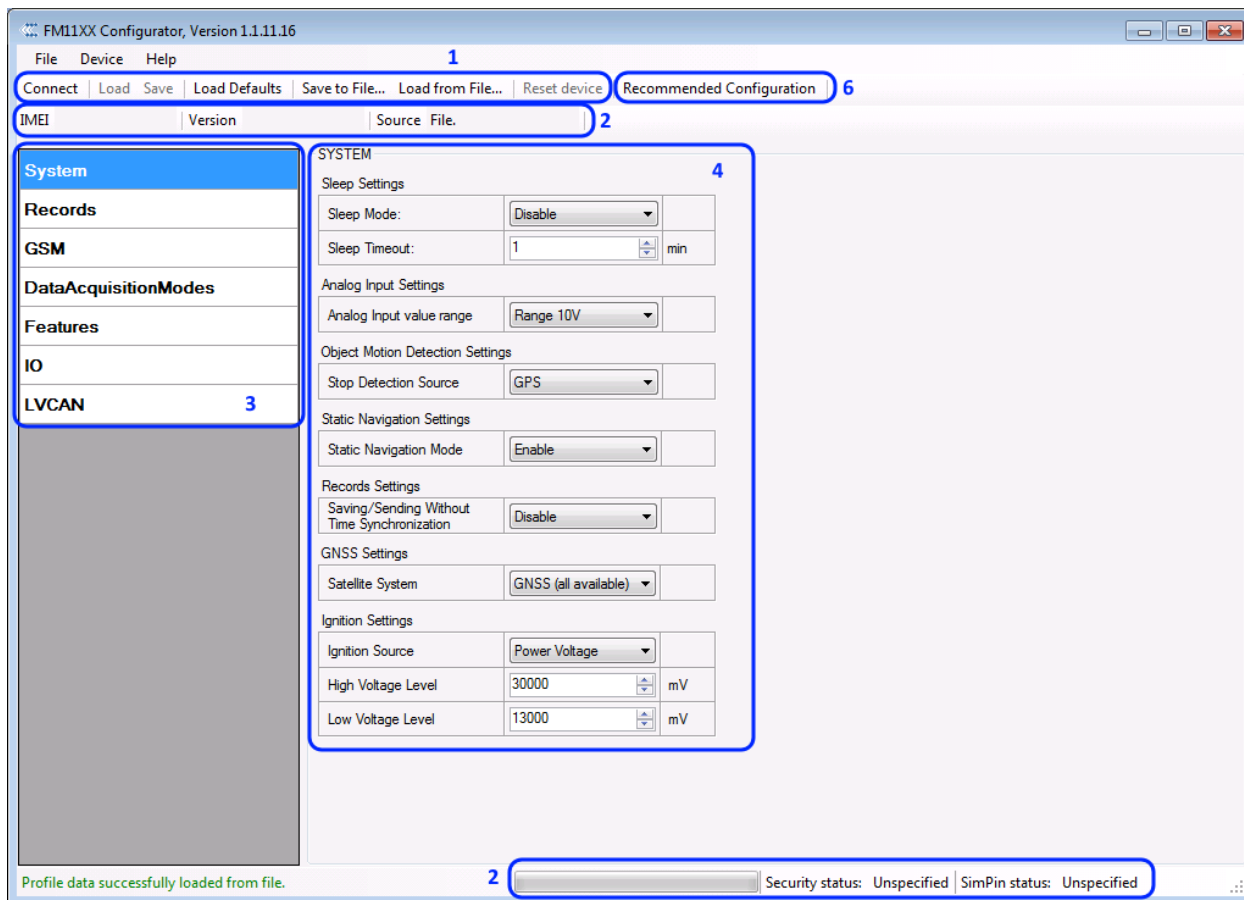


Figure 18 Advanced Configuration window

FM1120 Configurator is divided into main areas: 1 – main button area, 2 – information area, 3 – settings menu, 4 – parameters and values menu, 5 – recommended configuration values.

Button 6 is used to change between configuration modes.

#### Main Buttons description:

‘Connect’ – connects device

‘Load’ – reads configuration parameters from FM1120 Flash memory.

‘Save’ – saves configuration parameters to FM1120 Flash memory.

‘Load Defaults’ – loads default FM1120 settings that later can be modified. This procedure must be performed before entering new parameters.

‘Save to File...’ – allows user to save currently entered settings to .XML file, for later usage.

‘Load from File...’ – allows user to load configuration saved in .XML extension file.

‘Reset device’ – reboots FM1120 and displays processor firmware version.

#### Additional Buttons description:

‘SIM PIN’ - allows to enter PIN code if inserted SIM card has activated PIN code security. Note that PIN code can be entered 2 times.

'Add Keyword' / 'Change Keyword' / 'Switch Security Off'– buttons are used to protect configurator from unauthorized access to configuration.

Keyword is 4 – 10 symbol length. If keyword is set, every time user reconnects FM1120 to USB port, user will be asked to provide valid keyword when connecting FM1120 to configurator. User is given 5 attempts to enter keyword. After entering valid keyword, counter resets to 5.

If user disconnects FM1120 using 'Disconnect' button and does not disconnect from USB port, after reconnecting using 'Connect' button, configurator does not ask for keyword.



**ATTENTION!** If you have entered a keyword, disconnected from the configurator and then later connected again, you will need to enter the keyword that you have entered previously. If you have forgotten it, please contact your local sales manager.

### 5.7 Record storage

FM1120 can store up to 3500 data records if GSM or GPRS is not available at the moment. It will send data later when GPRS is available again. Note that FM1120 can have memory full of records. In such case it will start deleting oldest records in order to save new ones. Sending all the data records to server may take some time. Sending 3500 records for FM1120 may take for about 2 hours (exact time may differ depending on GPRS/server load).

You can access all uploaded data from TAVL4 application.

More details on how to use TAVL application please refer to "TAVL4 application user manual" documentation.

### 5.8 System settings

System settings have 7 configurable parameters:

- Deep sleep settings, where user can turn deep sleep on or off
- Analog Input Settings, where user can choose analog input range 10 V or 30 V, depending on needed accuracy (lower range gives higher accuracy of measurements), and input voltage;
- Object Motion Detection Settings, where user can configure 3 ways how FM1120 will detect stopped movement, and change its working mode (for working modes, read section 5.12);
- Static navigation settings, where user can turn static navigation on or off;
- Records Settings, where user can enable or disable records when GPS is not available (no time synchronization);
- GNSS Settings, where user can choose satellite system and time synchronization via NTP (Network Time Protocol)
- Ignition Source sets ignition triggered functionalities to be triggered by:
  - Power Voltage (if voltage is between High Voltage Level and Low Voltage Level the ignition is considered to be turned on);
  - Digital Input (DIN1 ON – ignition on, DIN1 OFF – ignition off);
  - Movement (if accelerometer/movement sensor detects movement then ignition is on, if movement stops – ignition is off).

Stop Detection Source	Vehicle on Stop mode	Vehicle Moving mode
Ignition (recommended)	If ignition (configured Ignition Source) is logic low	If ignition (configured Ignition Source) is logic high
Msensor (movement sensor)	Internal movement sensor does not detect movement	Internal movement sensor detects movement
GPS	GPS fix is available and vehicle speed is lower than 5 km/h	GPS fix is available and vehicle speed is higher than 5 km/h
	While GPS fix is unavailable, Object Motion Detection Settings are working like in Msensor mode	

Static Navigation Mode is a filter, which filters out track jumps when the object is stationary. If Static navigation filter is disabled, it will apply no changes on GPS data. If Static navigation filter is enabled, it will filter changes in GPS position if no movement is detected (depends on Object Motion Detection Settings). It allows filtering GPS jumps when object is parked (is not moving) and GPS position is still traced.

Figure 19 System settings configuration

### 5.9 Records settings

Here user can modify if FM1120 device will send newest records first, meaning, that the most important thing is to know recent position of car, older records are being sent right after newest records arrive to AVL application.

Activate Data Link Timeout is used to set timeout of link between FM1120 and AVL application termination. If FM1120 has already sent all records it waits for new records before closing link. If new records are generated in the period of this timeout, and minimum count to send is reached, they are sent to AVL application. This option is useful when GSM operator charge for link activation.

Server Response Timeout is used to set time period waiting for response from server side.

Figure 20 Records settings configuration

### 5.10 GSM settings, GPRS part

'GPRS' defines main parameters for FM1120: GSM operator APN and GPRS username and password (optional – depending on operator), destination server IP and port, and allows to set protocol used for data transfers – TCP or UDP

Some operators use specific authentication for GPRS session – CHAP or PAP. If any of these is used, APN should be entered as 'chap: <APN>' or 'pap: <APN>'. I.e. if operator is using APN 'internet' with CHAP authentication, it should be entered as 'chap: internet'. Information about APN and authentication type should be provided by your GSM operator.

Figure 21 GPRS configuration

### 5.11 GSM settings, SMS part

Essential fields in 'SMS' part are 'Login' and 'Password'. The login and password are used with every SMS sent to FM1120. If login and password are not set, in every SMS sent to FM1120 device two spaces before command have to be used (<space><space><command>).

Command structure with set login and password:

<login><space><password><space><command>, example: "asd 123 getgps"

Phone numbers have to be written in international standard, without using "+" or "00" signs in prefix. If no numbers are entered, configuration and sending commands over SMS are allowed from all GSM numbers.

SMS data sending settings – enable or disable **periodic** data and event SMS usage. This setting does not affect replies to SMS request messages – answers are always sent back to sender telephone number.

FM1120 can send binary SMS with 24-coordinates-in-one-SMS. It is used in areas where no GPRS coverage is available. Module collects data and sends to server binary SMS containing



information about last 24 collected points. SMS sending schedule is set in SMS Week Time tab. 24-Coordinates SMS decoding is described in device protocols documentation. Please contact Teltonika sale manager to find out more about protocols documentation purchase.

<b>System</b>	<b>SMS data sending Settings</b> SMS data sending Settings: Enabled SMS login: asd SMS password: *** Authorized phone numbers: <table border="1"> <thead> <tr> <th></th> <th>Phone Number</th> </tr> </thead> <tbody> <tr> <td>▶ 01*</td> <td>37061234567</td> </tr> <tr> <td>02</td> <td></td> </tr> <tr> <td>03</td> <td></td> </tr> <tr> <td>04</td> <td></td> </tr> <tr> <td>05</td> <td></td> </tr> <tr> <td>06</td> <td></td> </tr> <tr> <td>07</td> <td></td> </tr> <tr> <td>08</td> <td></td> </tr> <tr> <td>09</td> <td></td> </tr> <tr> <td>10</td> <td></td> </tr> </tbody> </table> <i>(*Server Phone Number)</i>		Phone Number	▶ 01*	37061234567	02		03		04		05		06		07		08		09		10	
		Phone Number																					
▶ 01*		37061234567																					
02																							
03																							
04																							
05																							
06																							
07																							
08																							
09																							
10																							
<b>Records</b>																							
<b>GSM</b>																							
> GPRS																							
> SMS																							
> SMS Events																							
> Operator list																							
<b>DataAcquisitionModes</b>																							
<b>Features</b>																							
<b>IO</b>																							
<b>LVCAN</b>																							
<b>RS232 / RS485</b>																							

Figure 22 SMS configuration



Note: A mobile phone will not understand and SMS with binary code, so sending it to a mobile phone is useless. When sending a binary SMS to a phone number, which is a server phone number, the server can interpret and understand binary code, so the data can be read and you can view it on the server.



SMS login and password and authorized number list are used to protect FM1120 module from unauthorized access. Module accepts messages only from a list of authorized numbers and with proper module login and password. Numbers must be without “+” or “00” prefix. If no authorized numbers are entered, module accepts messages from all numbers.

## GSM settings, Operator list

Operators list – FM1120 can work in different modes (use different settings) according to the operator list defined. Operator list is used for Data Acquisition Mode switching (see chapter 5.12 Data Acquisition Mode settings for more details). Modes are changed based on GSM operator FM1120 is connected to.

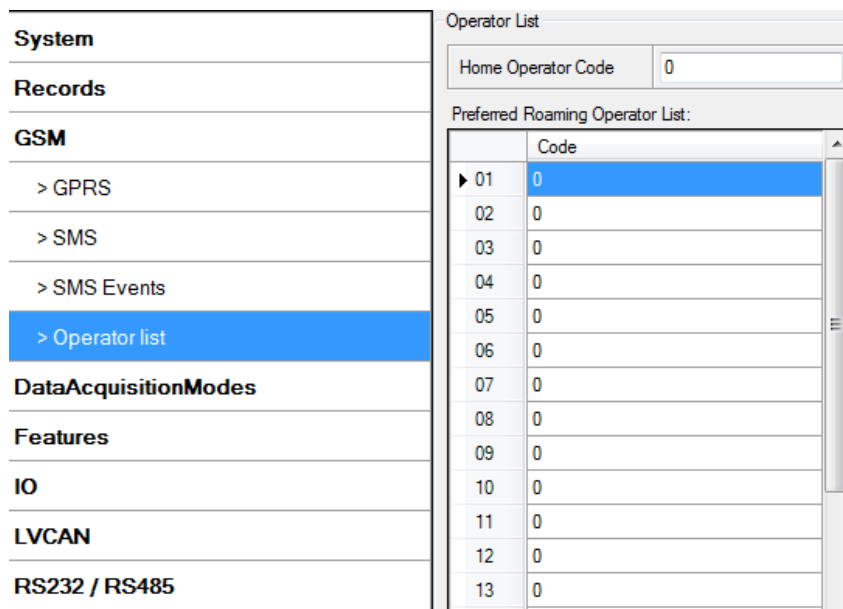


Figure 23 Operator list configuration

If operator list is left empty, it will allow using GPRS to any GSM operator. Please note that FM1120 will work in **Unknown mode only** (make sure it is configured to allow data sending – GPRS context is enabled).

### 5.12 Data Acquisition Mode settings

Data Acquisition Modes are an essential part of FM1120 device, it is also highly configurable.

By configuration user defines how records will be saved and sent. There are three different modes: Home, Roaming and Unknown. All these modes with configured data acquisition and send frequencies depend on current GSM Operator defined in Operator list (see section 0) and are switched when GSM operator changes (e.g. vehicle passes through country boarder).

If current GSM operator is defined as Home Operator, device will work in Home Data Acquisition mode, if current operator is defined as Roaming Operator, device will work in Roaming Data Acquisition mode, and if current operator code is not written in Operator list (but there is at least one operator code in the operator list), device will work in Unknown Acquisition mode.

This functionality allows having different AVL records acquire and send parameters values when object is moving or stands still. Vehicle moving or stop state is defined by Stop Detection Source parameter. There are 3 ways for FM1120 to switch between Vehicle on Stop and Vehicle Moving modes see section 5.7.

FM1120 allows having 6 different modes. Operational logic is shown in Figure 24.



If there are no operator codes entered into operator list, FM1120 will work in Unknown network mode ONLY.

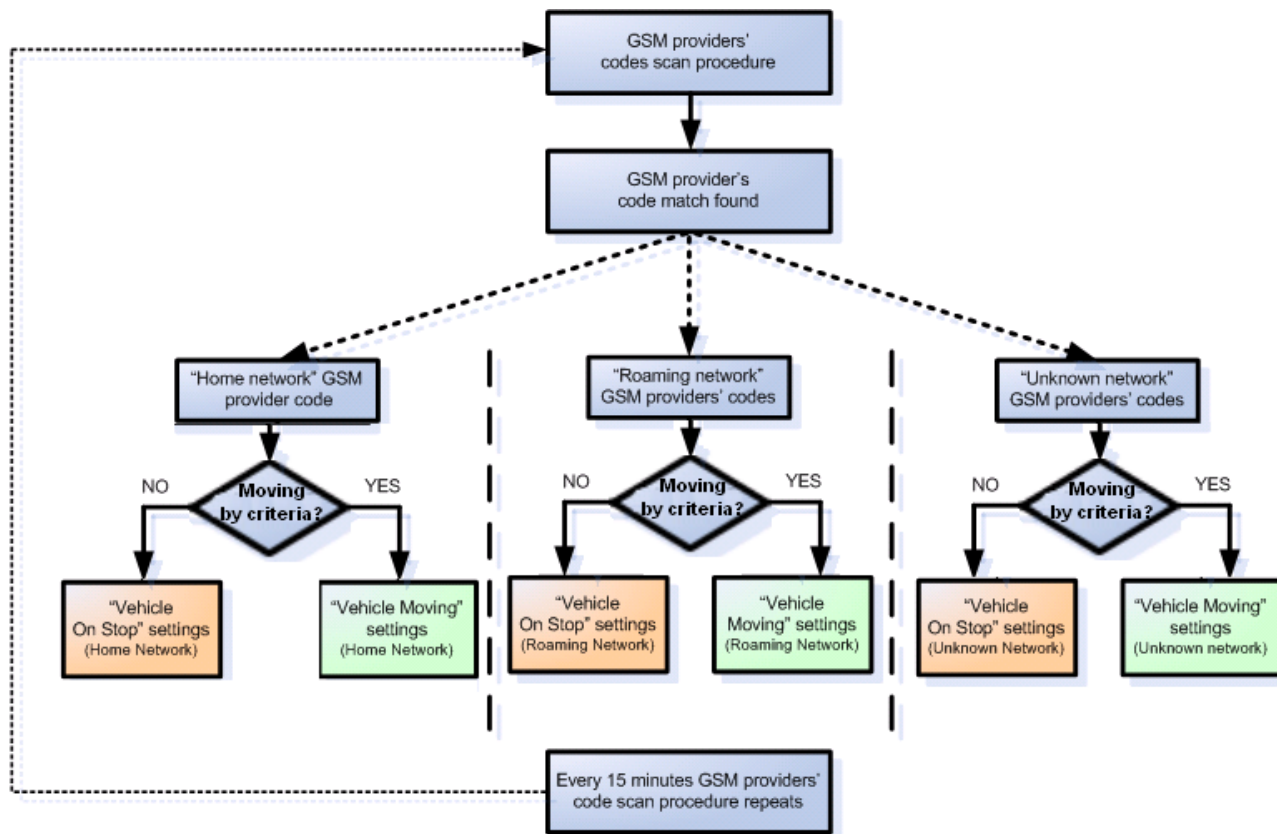


Figure 24 Data Acquisition Mode configuration

Operator search is performed every 15 minutes. Depending on current GSM operator, Home, Roaming or Unknown mode can be changed faster than every 15 minutes. This process is separate from operator search. Movement criteria are checked every second.

Data Acquisition Modes : Home

Vehicle on STOP

Min Period:	600	sec.
Min Saved Records:	1	
Send Period:	1	sec.

Vehicle MOVING

Min Period:	30	sec.
Min Distance:	200	m.
Min Angle:	20	deg.
Min Speed Delta:	0	km/h
Min Speed Source:	GPS	
Min Saved Records:	1	
Send Period:	1	sec.

GPRS Week Time

GPRS Week Time

Data Acquisition Modes : Roaming

Vehicle on STOP

Min Period:	600	sec.
Min Saved Records:	10	
Send Period:	600	sec.

Vehicle MOVING

Min Period:	1200	sec.
Min Distance:	1000	m.
Min Angle:	30	deg.
Min Speed Delta:	0	km/h
Min Speed Source:	GPS	
Min Saved Records:	10	
Send Period:	600	sec.

GPRS Week Time

GPRS Week Time

Data Acquisition Modes : Unknown

Vehicle on STOP

Min Period:	3600	sec.
Min Saved Records:	1	
Send Period:	1	sec.

Vehicle MOVING

Min Period:	300	sec.
Min Distance:	100	m.
Min Angle:	10	deg.
Min Speed Delta:	0	km/h
Min Speed Source:	GPS	
Min Saved Records:	1	
Send Period:	1	sec.

GPRS Week Time

GPRS Week Time

Figure 25 Data Acquisition Mode configuration

'Min Saved Records' defines minimum number of coordinates and I/O data that should be transferred with one connection to server. If FM1120 does not have enough coordinates to send to server, it will check again after time interval defined in 'Sending Period'

Send period – GPRS data sending to server period. Module makes attempts to send collected data to server every defined period. If it does not have enough records (depends on parameter Min. Saved Records described above), it tries again after defined time interval.

GPRS Week Time tab – most GSM billing systems charge number of bytes (kilobytes) transmitted per session. During the session, FM1120 makes connection and transmits data to a server. FM1120 tries to handle the session as much as possible; it never closes session by itself. Session can last for hours, days, weeks or session can be closed after every connection in certain GSM networks – this depends on GSM network provider. GPRS Context Week Time defines session re-establish schedule if session was closed by network. New GPRS context is opened if time is 10 minutes till time checked in table. Therefore if all boxes are checked, FM1120 is able to open new connection anytime. At scheduled time match FM1120 checks for GPRS session activity. If GPRS session is alive, FM1120 sends data to server according to Send period parameter. If it is not, FM1120 checks if it is able to re-establish the session.

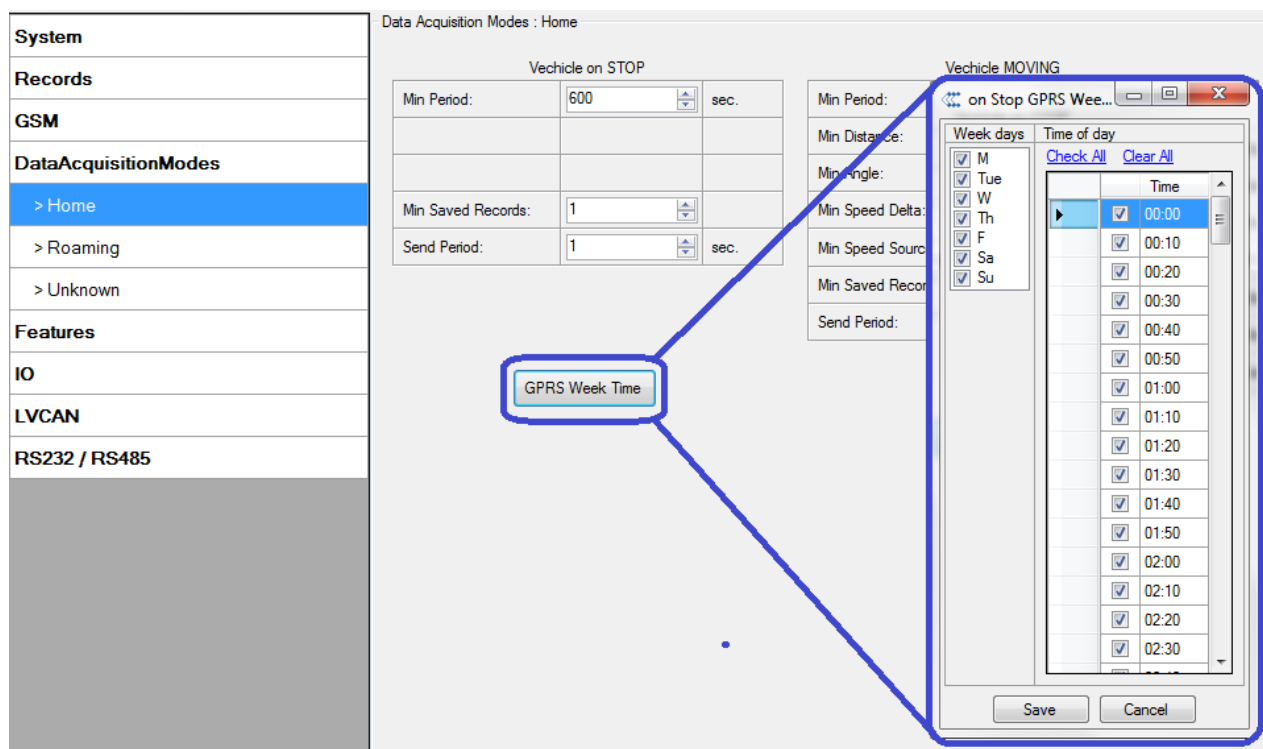


Figure 26 GPRS Week Time configuration

Device checks if the time between last saved record and current time is equal or higher than Time based acquire interval. If so, FM1120 saves record to memory. If not, FM1120 checks if the distance from last record to current record is equal or higher than Distance based acquire interval. If so, saves the record to memory. If not and speed is higher than 10km/h, then FM1120 checks if angle difference between last record and current record is equal or higher than Angle based acquire value. If so, saves the record to memory. These checks are performed every second.



Note: Keep in mind that FM1120 operates in **GMT:0** time zone, without daylight saving.

FM1120 is able to collect records using three methods at the same time: time, distance and angle based data acquisition:

Time based data acquiring (Min. period) – records are being acquired every time when defined interval of time passes. Entering zero disables data acquisition depending on time.

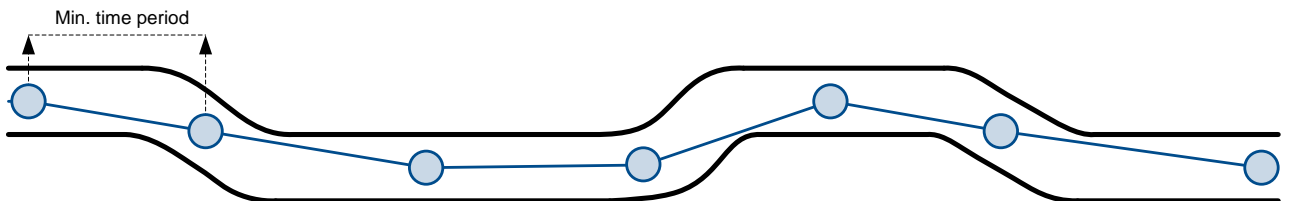


Figure 27 Time based data acquiring example

Distance based data acquiring (Min. distance) – records are being acquired when the distance between previous coordinate and current position is greater than defined parameter value. Entering zero disables data acquisition depending on distance.

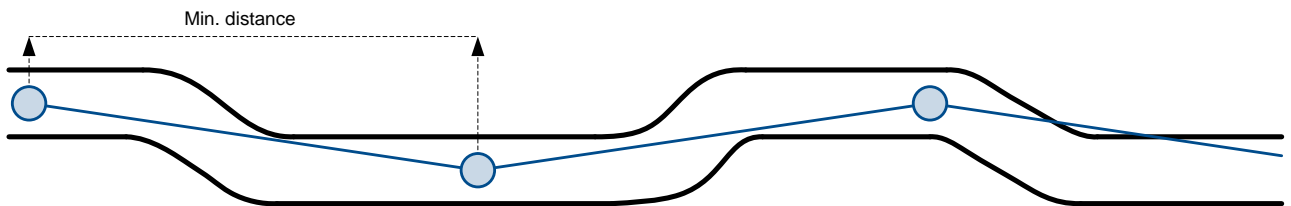


Figure 28 Distance based data acquiring example

Angle based data acquiring (Min. angle) – records are being acquired when angle difference between last recorded coordinate and current position is greater than defined value. Entering zero disables data acquisition depending on angle.

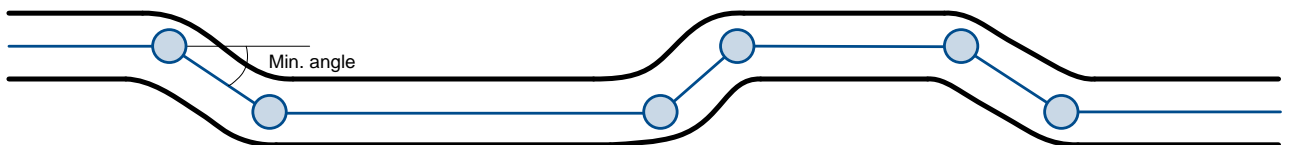


Figure 29 Angle based data acquiring example

Speed based data acquiring (Min. speed delta) – records are being acquired when speed difference between last recorded coordinate and current position is greater than defined value. Entering zero disables data acquisition depending on speed.

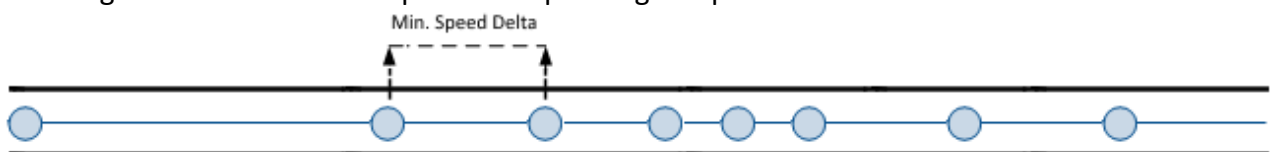


Figure 30 Speed based data acquiring example

### 5.13 Features settings

For more information about available Scenarios, Trip, Geofencing and iButton list, refer to 5.4 chapter.

#### 5.13.1 Scenarios settings

In Scenarios window four different scenarios are available, three for Digital Output 1 and two for Digital Output 2 (DOU). Only one per digital output can be active at a same time, e.g. DOU1 can have either Green driving, Over Speeding or Jamming detection enabled, DOU2 can have either Authorized Driving or Immobilizer enabled.

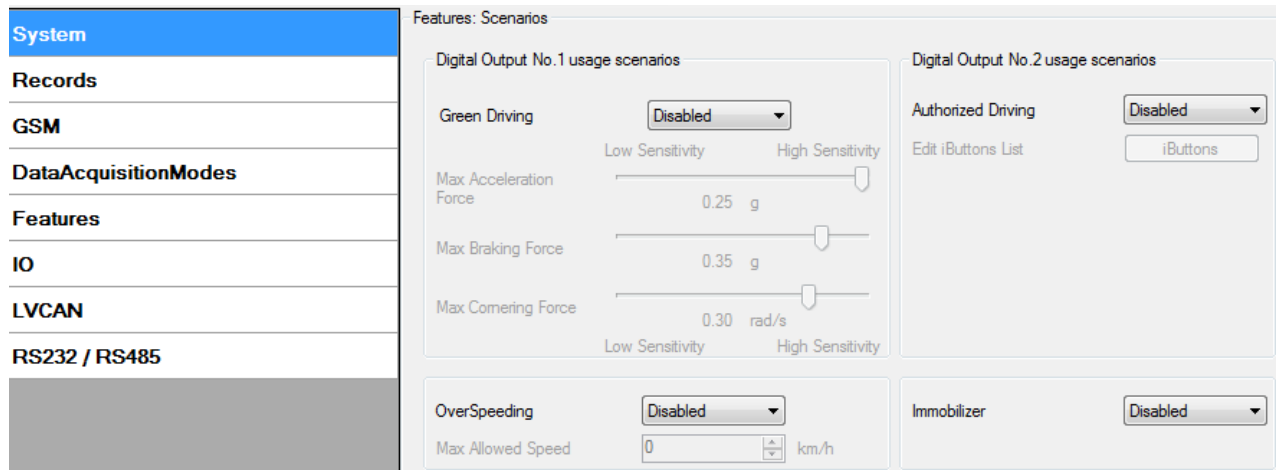


Figure 31 Scenarios configuration

Digital Output (open drain grade) usage in scenarios:

- Green Driving
  - DOUT1 is ON for:
    - 3sec. if detected value is over (0; 30] % from preconfigured allowed value
    - 5sec. if detected value is over (30; 50] % from preconfigured allowed value
    - 7sec. if detected value is over (50; -] % from preconfigured allowed value
 After period of time DOUT1 is turned OFF.
- Over Speeding
  - DOUT1 is ON, while vehicle speed exceeds parameter value. DOUT1 is activated until current speed decreases below parameter value.
- Jamming Detection
  - DOUT1 scenario. When this scenario is enabled and device modem is being jammed DOUT1 is turned on. When jamming stops DOUT1 is turned off.
- Authorized driving
  - DOUT2 is continuously OFF. DOUT2 turns ON if Ignition turns ON (configured Ignition Source=1). After authorizing iButton (iButton ID is read and it matches the ID from the iButton list), DOUT2 turns OFF. After successful authorization ignition can be turned OFF (configured Ignition Source=0) for no longer than 30 seconds, otherwise authorization must be repeated.
- Immobilizer



DOUT2 is continuously OFF. DOUT2 turns ON if Ignition turns ON (configured Ignition Source=1). After iButton ID is read (any iButton is attached), DOUT2 turns OFF. After iButton identification ignition can be turned OFF (configured Ignition Source =0) for no longer than 30 seconds, otherwise immobilizer must be repeated.

### 5.13.2 Trip settings

Trip window offers user to configure Trip feature. If Trip is enabled configuration of parameters are enabled.

Start Speed – GPS speed has to be greater than the specified Start Speed in order to detect Trip Start.

Ignition Off Timeout – timeout to wait if ignition was off, to detect Trip stop.

Continuous distance counting – Not or Continuous can be chosen. For this feature I/O Odometer must be enabled.

If I/O Odometer is enabled and Continuous distance counting variable is set to Continuous, **Trip distance** is going to be counted continuously (**from Trip start to Trip stop**). This value is written to I/O Odometer value field. When Trip is over and next Trip begins, Odometer value is reset to zero. When the next trip starts counting continuously starts from the beginning again.

If I/O Odometer is enabled and Continuous Distance Counting variable is set “Not”, then the distance is going to be counted only between every record made. This value is written to I/O Odometer value field and reset to zero every new record until Trip stops. If later all Odometer values are summed up manually, the user gets the distance driven during the whole period of the Trip.

<p><b>System</b></p> <hr/> <p><b>Records</b></p> <hr/> <p><b>GSM</b></p> <hr/> <p><b>DataAcquisitionModes</b></p> <hr/> <p><b>Features</b></p> <p>&gt; Scenarios</p> <p>&gt; Trip</p>	<p>Features: TRIP</p> <table border="1"> <tr> <td>Trip start/stop detection</td> <td>Enabled</td> <td></td> </tr> <tr> <td>Start Speed:</td> <td>5</td> <td>km/h</td> </tr> <tr> <td>Ignition Off Timeout</td> <td>60</td> <td>sec</td> </tr> <tr> <td>Trip continuous distance counting</td> <td>Not</td> <td></td> </tr> </table> <p style="text-align: right;">For distance counting IO odometer must be enabled</p> <p style="text-align: right; border: 1px solid gray; padding: 2px;">IO elements</p>	Trip start/stop detection	Enabled		Start Speed:	5	km/h	Ignition Off Timeout	60	sec	Trip continuous distance counting	Not	
Trip start/stop detection	Enabled												
Start Speed:	5	km/h											
Ignition Off Timeout	60	sec											
Trip continuous distance counting	Not												

Figure 32 Trip configuration



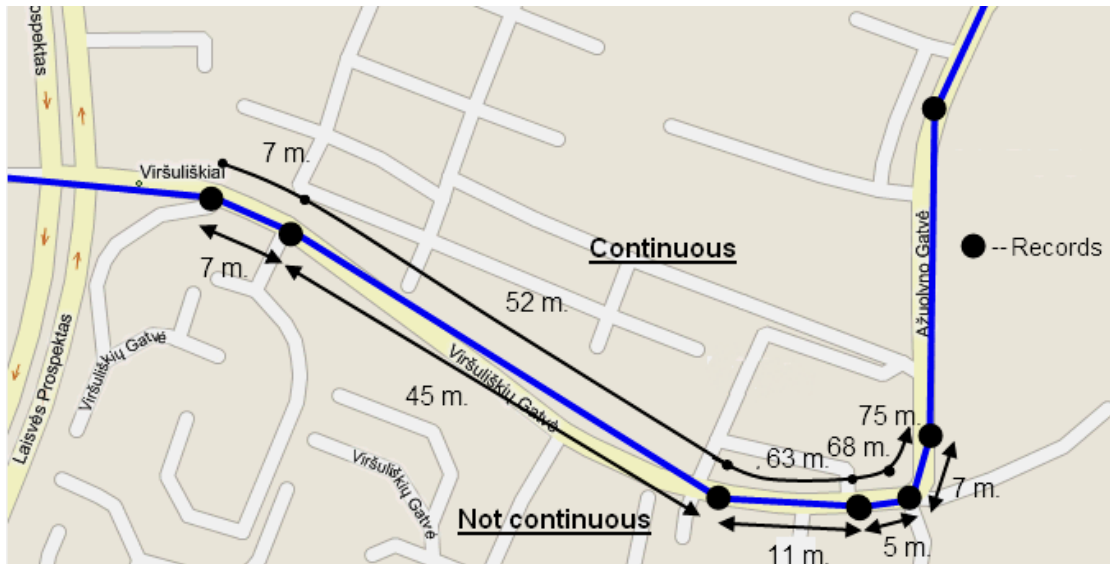


Figure 33 Trip continuous distance counting parameter example

### 5.13.3 Geofencing settings

FM1120 has 5 configurable Geofence zones and it can generate an event when defined Geofence zone border is crossed.

Frame border – frame border is an additional border around Geofence zone. It is additional area around defined zone used to prevent false event recording when object stops on the border of the area and because of GPS errors some records are made inside area and some – outside. Event is generated only when both borders are crossed. See figure 31 for details: track 1 is considered to have entered the area while track 2 is not.

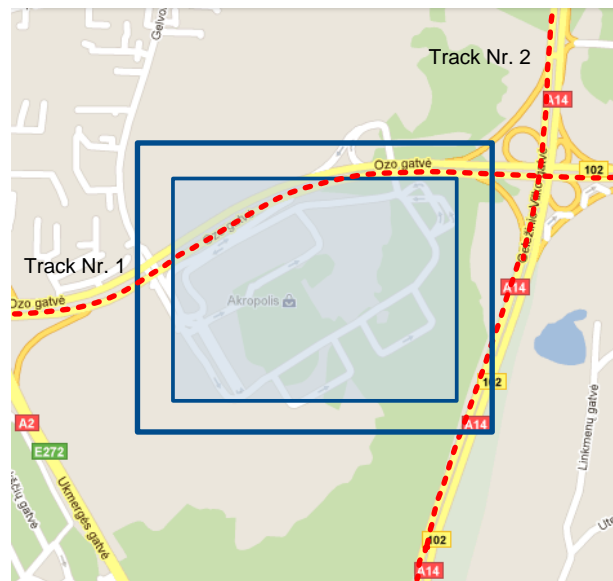


Figure 34 Geofence border

Shape – can be rectangle or circle

Priority – priority of Geofence event: low, high or panic. These levels define priority of event information sending to server. See I/O element description for more details about priorities.

Generate event (On entrance, On exit, On Both) – choose when record will be generated;

X1 – geofence zone left bottom corner X coordinate (longitude);

Y1 – geofence zone left bottom corner Y coordinate (latitude);

X2 or R – geofence zone upper right corner X coordinate (longitude) or radius of circle when Circular zone is used (radius in meters);  
 Y2 – geofence zone upper right corner Y coordinate (latitude);

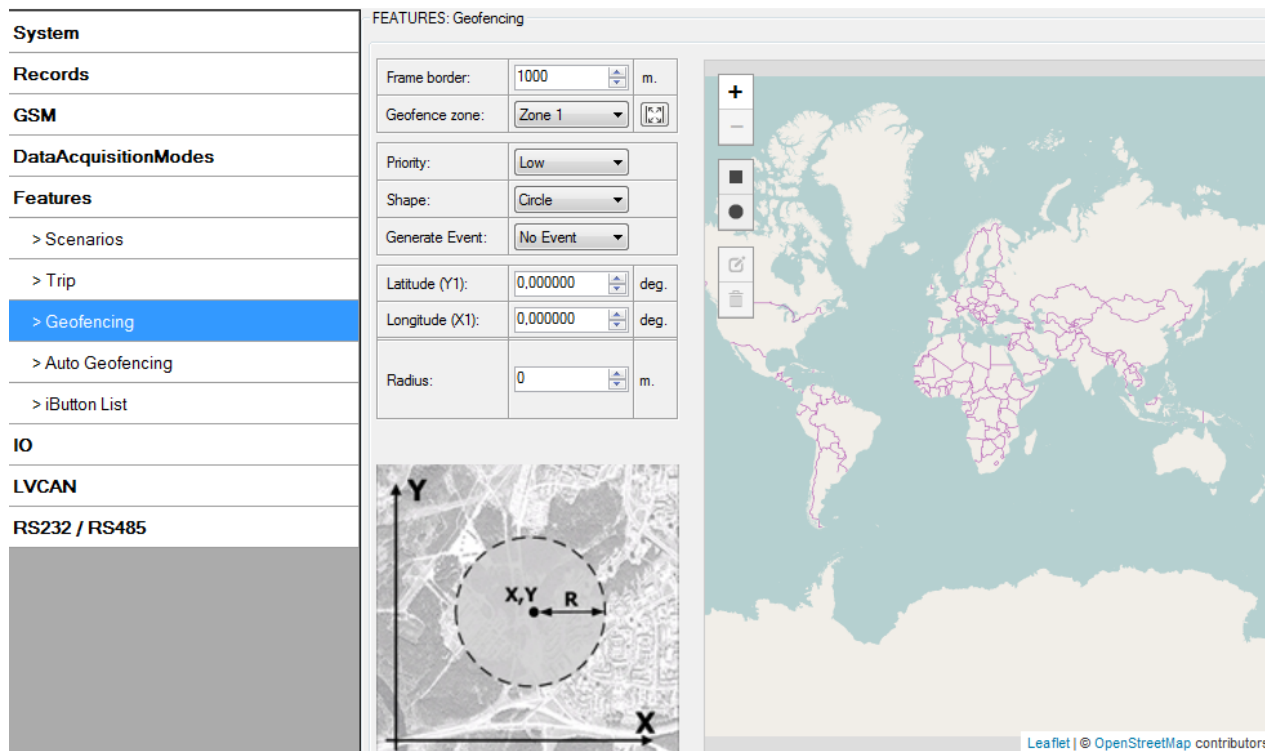


Figure 35 Geofence configuration

### AutoGeofencing settings

AutoGeofence – the last known position after movement = off. If your car's being taken away – you can be notified. The shape and size of the geofence zones are parameters. It is possibility to state whether entering in or out of the geofence triggers an asynchronous message.

AutoGeofencing option can be configured by following parameters visible in figure 33 below.

Activate – Enable or Disable AutoGeofence functionality.

Activation TMO – Time period before Geofence is activated after vehicle stops.

Deactivate By:

Ignition – If ignition (configured Ignition Source) becomes high it will disable AutoGeofence Zone.

iButton – if iButton is attached it will disable AutoGeofence Zone.

Edit iButton List – if list is not empty, attached iButton is tested against an iButton list, if match is found AutoGeofence zone is disabled.

Priority – Priority of generated event, which will be applied to saved record.

Enter Event – Event generation on Geofence entrance.

Exit Event – Event generation on Geofence exit.

On Both – Event generation on Geofence entrance Or exit

Note that AutoGeofencing does not require entering coordinates, instead it requires GPS visibility. If vehicle stopped and activation timeout has passed, an AutoGeofence will be created

around vehicle's last position with set Radius value. AutoGeofence event generation works the same as Geofencing mentioned above.

<b>System</b>	FEATURES: Auto Geofencing	
<b>Records</b>	Active	Enable
<b>GSM</b>	Priority	High
<b>DataAcquisitionModes</b>	Activation timeout	60
<b>Features</b>	Deactivate By	Ignition
> Scenarios	Edit iButtons List	iButtons
> Trip	Generate Event	On Exit
> Geofencing	Radius	100 m.
> Auto Geofencing		

Figure 36 Geofence configuration



Note: FM1120 operates GMT:0 time without daylight saving.

#### 5.13.4 SMS events

SMS events functionality allows FM1120 to send a configured SMS when an event is triggered. This event can be triggered by:

- Green Driving
- OverSpeeding
- Authorized Driving
- Immobilizer
- Trip start/stop
- Geofence
- AutoGeofence
- I/O event

When any of the above events is triggered, FM1120 sends a configured SMS message to a defined phone number. If SMS events is activated, but there are no numbers defined in SMS events PreDefined Numbers list (figure 34), then the device will not send any messages. SMS events can be activated in FM11YX configurator GSM → SMS → SMS events (figure 34).

SMS data sending Settings

SMS data sending Settings: Disable SMS Week Time

SMS login:

SMS password:

Authorized phone numbers:

	Phone Number
▶ 01	
02	
03	
04	
05	
06	
07	
08	
09	
10	

1 SMS Events PreDefined Numbers

	Phone Number
▶ 01	37067812345
02	
03	
04	
05	
06	
07	
08	
09	
10	

2 SMS Events

Description	Enable	SMS Number	SMS Text
Digital Input 1	<input type="checkbox"/>	<input type="text"/>	Digital Input 1
Digital Input 2	<input type="checkbox"/>	<input type="text"/>	Digital Input 2
Digital Input 3	<input type="checkbox"/>	<input type="text"/>	Digital Input 3
Digital Input 4	<input type="checkbox"/>	<input type="text"/>	Digital Input 4
Analog Input 1	<input type="checkbox"/>	<input type="text"/>	Analog Input 1
Analog Input 2	<input type="checkbox"/>	<input type="text"/>	Analog Input 2

Figure 37 SMS Events PreDefined Numbers list and SMS events activation settings

The sent SMS messages format is according to:

*“Date Time EventText”*

For example, if FM1120 is configured to send an SMS, when Digital Input 1 reaches High level, with priority High and configured to generate event on both range enter and exit (figure 35), then the sent SMS is:

*“2012/6/7 12:00:00 Digital Input 1”*

Property Input	Enabled	Priority	Low Level	High Level	Generate Event	Averaging Constant
Digital Input 1	<input checked="" type="checkbox"/>	High	1	1	Event on both	10
Digital Input 2	<input type="checkbox"/>	Low	0	0	Monitoring	2
Digital Input 3	<input type="checkbox"/>	Low	0	0	Monitoring	2
Digital Input 4	<input type="checkbox"/>	Low	0	0	Monitoring	2
Analog Input 1	<input type="checkbox"/>	Low	0	0	Monitoring	10
Analog Input 2	<input type="checkbox"/>	Low	0	0	Monitoring	10
Digital Output 1	<input type="checkbox"/>	Low	0	0	Monitoring	10

Authorized phone numbers:	Phone Number
01	
02	
03	
04	
05	
06	
07	
08	
09	
10	

SMS Events PreDefined Numbers	Phone Number
01	37067812345
02	
03	
04	
05	
06	
07	
08	
09	
10	

SMS Events	Description	Enable	SMS Number	SMS Text
Digital Input 1	Digital Input 1	<input checked="" type="checkbox"/>	37067812345	Digital Input 1
Digital Input 2	Digital Input 2	<input type="checkbox"/>	37067812345	Digital Input 2
Digital Input 3	Digital Input 3	<input type="checkbox"/>	37067812345	Digital Input 3

Figure 38 Configured Digital Input 1 SMS event

The SMS Text field can be altered and any text can be entered. Maximum message length is 90 symbols (numbers, letters and symbols in ASCII, except for comma “,”).



**ATTENTION!**

If FM1120 is in Deep Sleep mode and SMS event occurs with LOW priority (which does not wake up FM1120), then the device does not send the message. It is saved in device memory until it wakes up from Deep Sleep mode and GSM modem starts working normally. After it wakes up, all the messages that are saved in memory will be sent, but keep in mind that only 10 messages can be saved in memory – all other messages will not be saved, until there is room in device memory.

5.13.4.1 SMS events configuration

Scenarios

To configure SMS events for scenarios, open Scenarios window and Enable desired scenario. Then go to GSM ->SMS -> SMS events window and activate SMS event for Enabled scenario. Figure 36 shows how to enable Green Driving and Authorized Driving SMS Events. Note, that Green Driving can't work together with Over Speeding and Authorized Driving can't work together with Immobilizer scenario– only one of them could be enabled. After enabling SMS events, different message texts can be written for different scenarios.

Description	Enable	SMS Number	SMS Text
LVCAN Program Number	<input type="checkbox"/>	37067812345	LVCAN Program Number
Green Driving	<input checked="" type="checkbox"/>	37067812345	Green Driving
OverSpeeding	<input type="checkbox"/>	37067812345	OverSpeeding
Authorized Driving	<input checked="" type="checkbox"/>	37067812345	Authorized Driving
Immobilizer	<input type="checkbox"/>	37067812345	Immobilizer

**Figure 39 Scenarios SMS event configuration**

When any of the scenarios events occurs, a text message will be sent to the predefined number.

### Trip

In order to configure Trip SMS events click on Trip window and Enable Trip feature (figure 37). Then go to GSM -> SMS -> SMS Events settings and Enable Trip SMS event. After enabling SMS Events (figure 38), trip event will be triggered and message sent, when Trip starts (GNSS speed exceeds the speed in Start Speed (ex. 5 km/h) and when Trip stops, that is ignition is turned off longer then the time written in Ignition Off Timeout (ex. 60 seconds).

**Figure 40 Trip Start/Stop SMS event configuration**



SMS Events			
Description	Enable	SMS Number	SMS Text
OverSpeeding	<input type="checkbox"/>	37067812345	OverSpeeding
Authorized Driving	<input type="checkbox"/>	37067812345	Authorized Driving
Immobilizer	<input type="checkbox"/>	37067812345	Immobilizer
Trip	<input checked="" type="checkbox"/>	37067812345	Trip
Geofence 1	<input type="checkbox"/>	37067812345	Geofence Zone 1
Geofence 2	<input type="checkbox"/>	37067812345	Geofence Zone 2

Figure 41 Trip Start/Stop SMS event configuration

## Geofence

Geofence SMS event is triggered and message sent when the device exits and/or enters a configured Geofence zone. The Geofence zone must be configured to generate an event On Exit, On Enter or On Both (figure 39). If No Event is selected, then it is not possible to turn on SMS events. If several zones are created then SMS events can be turned on separately for each zone entering different text message.

**System**

---

**Records**

---

**GSM**

---

**DataAcquisitionModes**

---

**Features**

- > Scenarios
- > Trip
- > Geofencing
- > iButton List

FEATURES: Geofencing

Geofencing

Frame border:  m.

Geofence zone:

Shape:

Priority:

Generate Event:

Latitude (Y):

Longitude (X):

Radius:  m.

SMS Events			
Description	Enable	SMS Number	SMS Text
Trip	<input checked="" type="checkbox"/>	37067812345	Trip
Geofence 1	<input checked="" type="checkbox"/>	37067812345	Geofence Zone 1
Geofence 2	<input type="checkbox"/>	37067812345	Geofence Zone 2
Geofence 3	<input type="checkbox"/>	37067812345	Geofence Zone 3
Geofence 4	<input type="checkbox"/>	37067812345	Geofence Zone 4
Geofence 5	<input type="checkbox"/>	37067812345	Geofence Zone 5

Figure 42 Geofence SMS event configuration

## AutoGeofence

SMS events for AutoGeofence are configured the same as in Geofence. AutoGeofence is next to Geofence configuration (figure 40), for SMS events configuration, go to GSM -> SMS -> SMS Events.

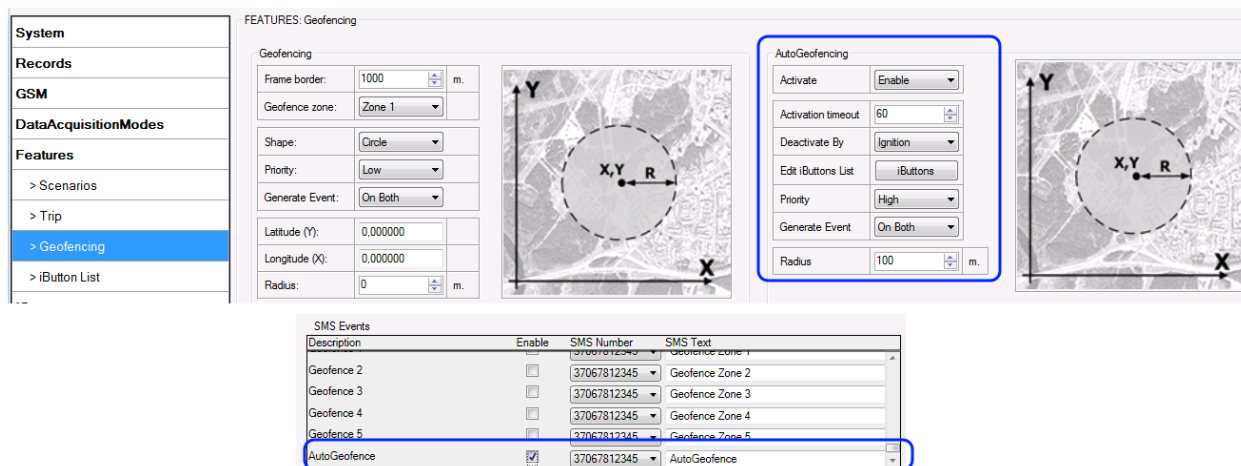


Figure 43 AutoGeofence SMS event configuration

### I/O events

FM1120 sends SMS event message when a configured I/O property enters and/or exits its configured High/Low boundaries or Hysteresis event generation is chosen (Monitoring does not generate event, so SMS event could not be configured). Every IO element SMS event can be configured to send individual message to different numbers.

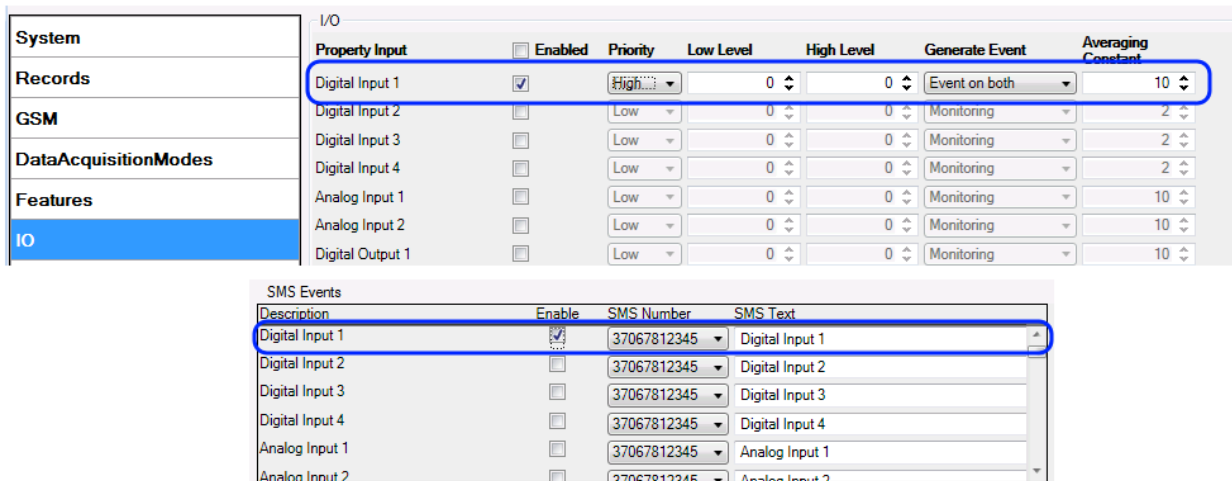


Figure 44 I/O SMS event configuration

### 5.14 I/O settings

When no I/O element is enabled, AVL packet comes with GPS information only. After enabling I/O element(s) AVL packet along with GPS information contains current value(s) of enabled I/O element.



Permanent I/O elements (are always sent to server if enabled)			
Nr.	Property Name	Bytes	Description
1	Digital Input Status 1	1	Logic: 0 / 1
2	Digital Input Status 2	1	Logic: 0 / 1
3	Digital Input Status 3	1	Logic: 0 / 1
4	Analog Input 1	2	Voltage: mV, 0 – 30 V
5	GSM level	1	GSM signal level value in scale 1 – 5
6	Speed	2	Value in km/h, 0 – xxx km/h
7	External Power Voltage	2	Voltage: mV, 0 – 30 V
8	GPS Power	2	States: 0 – short circ., 1 – connected. Parameter defines if GPS antenna is short circuit. All the time value will be sent 1. The only condition to get value 0, then antenna is damaged and short circuit.
9	Dallas Temperature	4	10 * Degrees ( °C ), -55 - +115, if 3000 – Dallas error
10	iButton ID	8	iButton ID number
11	Data Mode	1	0 – home on stop, 1 – home on move, 2 – roaming on stop, 3 – roaming on move, 4 – unknown on stop, 5 – unknown on move
12	Digital output 1 state	1	Logic: 0 / 1
13	Digital output 2 state	1	Logic: 0 / 1
14	PDOP	2	Probability * 10; 0-500
15	HDOP	2	Probability * 10; 0-500
16	Odometer Value (Virtual Odometer)	4	Distance between two records: m
17	Sleep mode	1	0 – not deep sleep mode, 1 – GPS sleep mode, 2 – deep sleep mode
18	Cell ID	2	GSM base station ID
19	Area Code	2	Location Area code (LAC), it depends on GSM operator. It provides unique number which assigned to a set of base GSM stations. Max value: 65536
20	Movement	1	0 – not moving, 1 – moving.
21	GSM operator Code	4	Currently used GSM Operator code
22	Ignition	1	Ignition status indication. Logic: 0 / 1
23	Battery Voltage	2	Shows battery Voltage in mV
24	Battery Current	2	Shows battery Current in mA
Eventual I/O elements (generate and send record to server only if appropriate conditions are met)			
Nr.	Property Name	Bytes	Description
25	Geofence zone 01	1	Event: 0 – target left zone, 1 – target entered zone
26	Geofence zone 02	1	Event: 0 – target left zone, 1 – target entered zone
27	Geofence zone 03	1	Event: 0 – target left zone, 1 – target

			entered zone
28	Geofence zone 04	1	Event: 0 – target left zone, 1 – target entered zone
29	Geofence zone 05	1	Event: 0 – target left zone, 1 – target entered zone
30	Auto Geofence	1	Event: 0 – target left zone, 1 – target entered zone
31	Trip	1	1 – trip start, 0 – trip stop
32	Immobilizer	1	1 – iButton connected
33	Authorized driving	1	1 – authorized iButton connected
34	Green driving type	1	1 – harsh acceleration, 2 – harsh braking, 3 – harsh cornering
35	Green driving value	1	Depending on green driving type: if harsh acceleration or braking – $g \cdot 100$ (value 123 -> 1.23g), if harsh cornering – degrees (value in radians)
36	Over Speeding	2	At over speeding start km/h, at over speeding end km/h
37	LVCAN Speed	1	Value in km/h, 0 – 250 km/h
38	LVCAN Accelerator pedal position	4	Value range: 0-100 %
39	LVCAN Total fuel used	4	Value range: 0- 99999999 liters* „Total Fuel Used“ is sent to server multiplied by 10. Example: if value was 150.5 liters, „1505“ will be sent to server.
40	LVCAN Fuel level (liters)	4	Value range: 0-100 liters
41	LVCAN Engine RPM	4	Value range: 0-8200 rpm
42	LVCAN Vehicle distance	4	Value range: 0-2145000000 meters
43	LVCAN Fuel level (proc.)	4	Value range: 0-100 %
44	LVCAN Program number	4	Value range: 0-999



There are two types of operations with Permanent I/O elements: simple monitoring and event generating. Monitoring method is used when current I/O information needed with regular GPS coordinates. Event generating method is used when additional AVL packet is needed when current value of I/O exceeds predefined High and Low levels. I/O settings allow defining I/O event criteria.

System	Property Input	Enabled	Priority	Low Level	High Level	Generate Event	Averaging Constant
Records	Digital Input 1	<input checked="" type="checkbox"/>	Low	0	0	Monitoring	10
GSM	Digital Input 2	<input type="checkbox"/>	Low	0	0	Monitoring	2
DataAcquisitionModes	Digital Input 3	<input type="checkbox"/>	Low	0	0	Monitoring	2
Features	Digital Input 4	<input type="checkbox"/>	Low	0	0	Monitoring	2
IO	Analog Input 1	<input type="checkbox"/>	Low	0	0	Monitoring	10
LVCAN	Analog Input 2	<input type="checkbox"/>	Low	0	0	Monitoring	10
	Digital Output 1	<input type="checkbox"/>	Low	0	0	Monitoring	10
	Digital Output 2	<input type="checkbox"/>	Low	0	0	Monitoring	10

Figure 45 I/O settings

Enabled or disabled field – allows enabling I/O element so it is added to the data packet and is sent to the server. By default all I/O element are disabled and FM1120 records only GPS coordinates.

Priority (AVL packet priority) can be low, high or panic. Regular packets are sent as Low priority records. When low priority event is triggered, FM1120 makes additional record with indication that the reason for that was I/O element change. When High priority is selected, module makes additional record with high priority flag and sends event packet immediately to the server by GPRS. Panic priority triggers same actions as high priority, but if GPRS fails, it sends AVL packet using SMS mode if SMS is **enabled in SMS settings**.

High and Low levels – define I/O value range. If I/O value enters or exits this range, FM1120 generates event. “Generate event” parameter defines when to generate event – when value enters defined range, exits it or both.

Averaging constant – it is an I/O event delay parameter. In some applications there is no need to generate events on every I/O range enter/exit immediately. Sometimes it is necessary to wait some time interval before event generating. Averaging constant allows setting I/O event delay (averaging). If I/O value is entering or leaving predefined range, it must have same value for Averaging constant time. 1 Averaging constant value equals about 100 milliseconds. In Deep Sleep mode there is no Averaging.



Note: I/O element’s “Movement sensor” Averaging constant is interpreted as Start Move Timeout in seconds (from 1 to 59).

Start Move Timeout – is a time interval required for movement sensor to be in the moving state, to consider vehicle as moving.

### 5.14.1 Monitoring

I/O monitoring starts after enabling I/O element and setting up I/O parameters as it is shown below:

System	I/O	Property Input	Enabled	Priority	Low Level	High Level	Generate Event	Averaging Constant
Records	Digital Input 1	<input checked="" type="checkbox"/>	Low	0	0	Monitoring	10	
GSM	Digital Input 2	<input type="checkbox"/>	Low	0	0	Monitoring	2	
DataAcquisitionModes	Digital Input 3	<input type="checkbox"/>	Low	0	0	Monitoring	2	
Features	Digital Input 4	<input type="checkbox"/>	Low	0	0	Monitoring	2	
I/O	Analog Input 1	<input type="checkbox"/>	Low	0	0	Monitoring	10	
LVCAN	Analog Input 2	<input type="checkbox"/>	Low	0	0	Monitoring	10	
	Digital Output 1	<input type="checkbox"/>	Low	0	0	Monitoring	10	
	Digital Output 2	<input type="checkbox"/>	Low	0	0	Monitoring	10	

Figure 46 I/O settings

### 5.14.2 Event Generating

Events happen when the value of enabled I/O intersects thresholds (enter, exit or on both) predefined by High and Low level thresholds. Table below defines all available values of I/O settings.

Setting	Value
Priority	low, high
High level	maximum threshold
Low level	minimum threshold
Generate event	on interval enter, on interval exit, on both enter and exit
Average constant	1 – 2 <sup>32</sup> (4 Bytes)

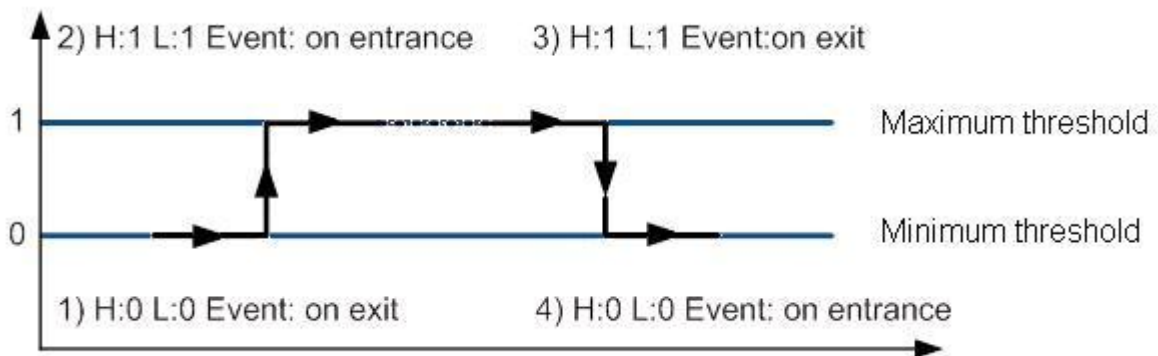


Figure 47 Digital Input event generation example

### 5.14.3 Hysteresis

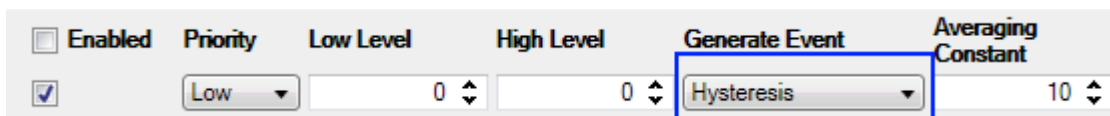


Figure 48 Hysteresis parameter configuration

I/O elements can generate events according to hysteresis algorithm. If I/O event operand “Hysteresis” is selected, events will be generated as it is shown in the illustration below (I/O speed is taken as I/O value example):

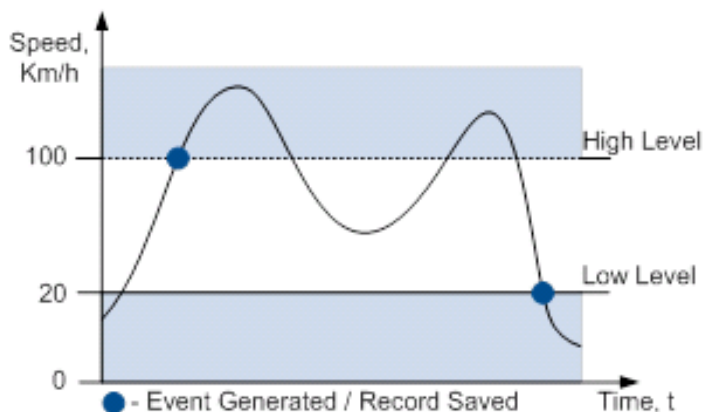


Figure 49 Event generation according hysteresis algorithm

## 6 SMS COMMAND LIST

Read chapter 5.11 to know how to construct a proper SMS message and send it to FM1120 device. All commands are case sensitive. While FM1120 operates in Deep Sleep mode and user tries to send SMS message it cannot arrive to FM1120 device, because GSM/GPRS module is disabled most of the time (wake up depends on Send Period parameter). FM1120 will receive the SMS when it wakes up (exits deep sleep mode).

## 6.1 SMS command list

Command	Description	Response
getstatus	Modem Status information	Yes
getweektime	Current device time, Day of Week and amount of minutes passed since start of week	Yes
getops	List of currently available GSM operator	Yes
getcfgtime	Date and Time of last successful configuration	Yes
ggps	Google Map Link information	Yes
getgps	Current GPS data and time	Yes
cpureset	Reset CPU	No
resetprof	Reset all FLASH1 profile configuration to default profile	No
getver	Device / Modem / Code version information	Yes
getinfo	Device runtime system information	Yes
deleterecords	Delete all records saved on FLASH	No
getio	Readout digital inputs and outputs	Yes
readio #	Readout input value according entered ID, # - ID value	Yes
setdigout ## Y1 Y2	set digital outputs 0 – OFF, 1 – ON Y1 – timeout for DO1 Y2 – timeout for DO2	Yes
getparam #	Readout parameter value according entered ID. # - ID value.	Yes
setparam # #	Set parameter value according entered ID and Value. 1.# - ID value. 2.# - New Parameter Value	Yes
getparam 1271 X	X values can be 1,2,3.	Yes
flush #,#,#,#,#,#,#	Initiates all data sending to specified target server 1.# - IMEI 2.# - APN 3.# - LOGIN 4.# - PASS 5.# - IP 6.# - PORT 7.# - MODE (0-TCP/1-UDP)	No
readops #	1 – send first 20 operator codes, 2 – send from 21 <sup>st</sup> to 40 <sup>th</sup> operator codes, 3 – send all other operator codes	
sn #	Static navigation, 1 – enable, 0 – disable	Yes
banlist	Banned operators information	Yes
crashlog	Device last information before unexpected reset	Yes
delete_all_sms	Deletes all SMS	No
lvcangetprog	CAN Program Number request by SMS	Yes
lvcansetprog #	Set LVCAN program number	Yes
lvcangetinfo	Get LV-CAN info by SMS	Yes

### 6.1.1 getstatus

Response details	Description
------------------	-------------

Data Link	Indicate module connection to server at the moment: 0 – Not connected, 1 – connected
GPRS	Indicate if GPRS is available at the moment
Phone	Voice Call status: 0 – ready, 1 – unavailable, 2 – unknown, 3 – ringing, 4 – call in progress, 5 – asleep
SIM	SIM Status: 0-ready, 1-pin, 2-puk, 3-pin2, 4-puk2
OP	Connected to GSM Operator: numerical id of operator
Signal	GSM Signal Quality [0-5]
NewSMS	Indicate if new message received
Roaming	0 – Home Network, 1 – roaming
SMSFull	SMS storage is full? 0 – ok, 1 – SMS storage full
LAC	GSM Tower Location Area Code
Cell ID	GSM Tower Cell ID Code

Example: Data Link: 0 GPRS: 1 Phone: 0 SIM: 0 OP: 24602 Signal: 5 NewSMS: 0 Roaming: 0 SMSFull: 0 LAC: 1 Cell ID: 864

### 6.1.2 getweektime

Response details	Description
Clock Sync	Indicates system clock synchronization status. 0 – System is not synchronized, 1 – System synchronized
DOW	Day Of Week – indicates current day of week starting from 1 – Monday, 2 – Tuesday, etc.
Time	Indicates current GMT time
WeekTime	Indicates time in minutes starting from Monday 00:00 GMT

Example: Clock Sync: 1 DOW: 4 Time 12:58 Weektime: 6538

### 6.1.3 getops

Response details	Description
LIST	Returns list of current available allowed operators.

Example: (2,"LT BITE GSM","BITE","24602"),(3,"TELE2","TELE2","24603")

### 6.1.4 getcfgtime

Response details	Description
Date/Time	Returns last performed configuration date and time.

Example: Last Configuration was performed on: 2010.4.15 5:45:19

### 6.1.5 getgps

Response details	Description
GPS	Indicates valid (1) or invalid (0) GPS data
Sat	Count of currently available satellites
Lat	Latitude (Last good Latitude)
Long	Longitude (Last good Longitude)

Alt	Altitude
Speed	Ground speed, km/h
Dir	Ground direction, degrees
Date	Current date
Time	Current GMT time

Example: GPS:1 Sat:7 Lat:54.71473 Long:25.30304 Alt:147 Speed:0 Dir:77 Date: 2007/8/24  
Time: 13:4:36

#### 6.1.6 ggps

Response details	Description
D	Date
T	Time
S	Actual Speed
C	Latitude (Last good Latitude), Longitude (Last good Longitude)
Url	Google Maps Link

Example: D:2013/7/4 T:0:0:0 S:0 C:0, 0 Url: <http://maps.google.com/?q=0,0&om=1speed:0>

#### 6.1.7 getver

Response details	Description
Code Ver	Firmware version
Device IMEI	IMEI
Device ID	Device ID is used to detect by server which type of configuration to load
Bootloader Ver	Bootloader Version
Modem App Ver	Version of modem application (veiks: nuo 00.05.14)
Revision	Firmware revision

Example: Code Ver:01.06.15 Rev:1 Device IMEI:353976010139156 Device ID:000001  
Bootloader Ver: 01.09 Modem APP Ver:TM11Q\_R\_01.00.03.03\_002

#### 6.1.8 getinfo

Response details	Description
INI	Device Initialization Time
RTC	RTC Time
RST	Restart Counter
ERR	Error Counter
SR	Number of Sent Records
BR	Number of broken records
CF	Profile CRC Fail counter
FG	Failed GPRS counter
FL	Failed link counter
UT	UPD Timeout counter
SMS	Sent SMS Counter
NOGPS	No GPS Timer
GPS	GPS receiver state. 0 – OFF, 1 – restarting, 2 – ON but no fix, 3 –



	ON and operational, 4 – sleep mode
SAT	Average satellites
RS	Reset Source Identification 1 – Low Power, 2 – W Watchdog, 3 – I Watchdog, 4 – Software reset, 5 – Power On, 6 – Pin Reset
MD	Data Mode state. 0 – Home and Stop, 1 – Home and Moving, 2 – Roaming and Stop, 3 – Roaming and Moving, 4 – Unknown and Stop, 5 – Unknown and Moving
RF	Records Found – number of records in the memory.

Example: INI:2013/10/11 8:44 RTC:2013/10/11 8:59 RST:1 ERR:0 SR:0 BR:0 CF:0 FG:0 FL:0 UT:0 SMS:1 NOGPS:0:14 GPS:2 SAT:0 RS:3 MD:4 RF:0

#### 6.1.9 getio

Response details	Description
DI#	Digital Input state
AIN#	Analog Input state
DO#	Digital Output state

Example: DI1:0 DI2:0 DI3:0 AIN:0.0611 DO1:0 DO2:0

#### 6.1.10 readio #

Response details	Description
ID	I/O element ID
Value	I/O Element value

Example: I/O ID:3 Value:0

#### 6.1.11 setdigout ## Y1 Y2

Sets digital outputs to ON or OFF state (for some time if needed). Value is written as a row for OUT1 and OUT2 values.

Example: 'setdigout 01 0 5' will set OUT2 to high level for 5 seconds, while OUT1 to low level.

#### 6.1.12 getparam #####

Read parameter value. ID consists of 3 or 4 digits. Detailed list of parameters and IDs can be found in chapter number 8 "Parameter List"

Example: 'getparam 1115' command will request server IP address.

#### 6.1.13 setparam #####

Sets new value for parameter. ID consists of 3 or 4 digits. Detailed list of parameters and IDs can be found in chapter number 8 "Parameter List"

Example: 'setparam 1115 127.0.0.1' will change configured IP address.

#### 6.1.13. getparam 1271 X/212 X

X values can be 1,2,3.

If X = 1, Operator codes from 0-19 are read from configuration and sent via SMS.

If X = 2, Operator codes from 20-39 are read from configuration and sent via SMS.



If X = 3, Operator codes from 40-49 are read from configuration and sent via SMS.  
 If X = any other, Operator codes from 0-19 are read from configuration and sent via SMS.

#### 6.1.14. setparam 1271 X/212 X

If X is from 0 to 49, X means index of operator code which has to be configured. Up to 20 operator codes may be configured in 1 SMS. Example: *Setparam 1271 16 24602,24603,24605* ,here 16<sup>th</sup>, 17<sup>th</sup> and 18<sup>th</sup> operator codes are set. Note! Other operator codes are left unchanged in the configuration.

#### 6.1.15 readops #

Send from device Operator List.

1 – send first 20 operator codes, 2 – send from 21<sup>st</sup> to 40<sup>th</sup> operator codes, 3 – send all other operator codes.

#### 6.1.16 flush #,#,#,#,#,#

Initiates all data sending by GPRS to specified target server. Comma separated parameters go as numbered:

- 1.# - IMEI
- 2.# - APN
- 3.# - GPRS LOGIN
- 4.# - GPRS PASSWORD
- 5.# - IP
- 6.# - PORT
- 7.# - MODE (0-TCP/1-UDP)

Parameters are separated by comma (no spaces needed). In case you don't need to enter parameter (Login/Pass) – do not put space, simply put comma and write next parameter.

Example: opa opa flush 353976012555151,banga,,,212.47.99.62,12050,0

Response details	Description
FLUSH SMS Accepted	FLUSH SMS Accepted
# records found on FLASH	Number of records found on FLASH
Minimum Records to Send: #	Number of minimum saved records to send
GPRS Enabled: #	State of the GPRS connection, 0 – disabled; 1 – enabled
Time Sync: #	Indicates time synchronization on the device, 0 – not synchronized; 1 – synchronized

Example: FLUSH SMS Accepted. 11 records found on FLASH. Minimum Records to Send: 1. GPRS Enabled: 1. Time Sync: 1.

#### 6.1.17 sn #

Enables or disables Static navigation. 1 – enable, 0 – disable.

#### 6.1.18 banlist

Gives a list of all banned operators.

Example when no operators are banned: 0000.00s.0.000

### 6.1.19 crashlog

Gives the last information before the device has crashed for unexpected reasons. It is useful when the device acts unexpectedly or restarts for unexplained reasons.

Example if no unexpected reset: "Crash: "

Example if unexpected reset was detected: "Crash: 3051,3052,3053".

### 6.1.20 Ivcngetprog

CAN program number can be obtained via SMS:

SMS Text: "Ivcngetprog"

Response: "CAN Program Nr: XXXX"

## 7 Debug mode

FM1120 is able to transmit its current state when connected to PC using USB cable. It is used to detect errors and provide information to possible solutions when operating as unexpected. Download Terminal from:

<http://avl1.teltonika.it/Downloads/Software/Terminal.zip>.

After launching terminal choose baud rate 115200 and hardware control – none. Select COM port which is assigned to "Virtual COM Port". Click on 'Start Log' button and save a new file. Then click 'Connect' to start receiving messages from FM1120.

Also you can log NMEA data directly. To get NMEA data, simply enter the following command into the command field: **.log\_nmea:1\$0a**.

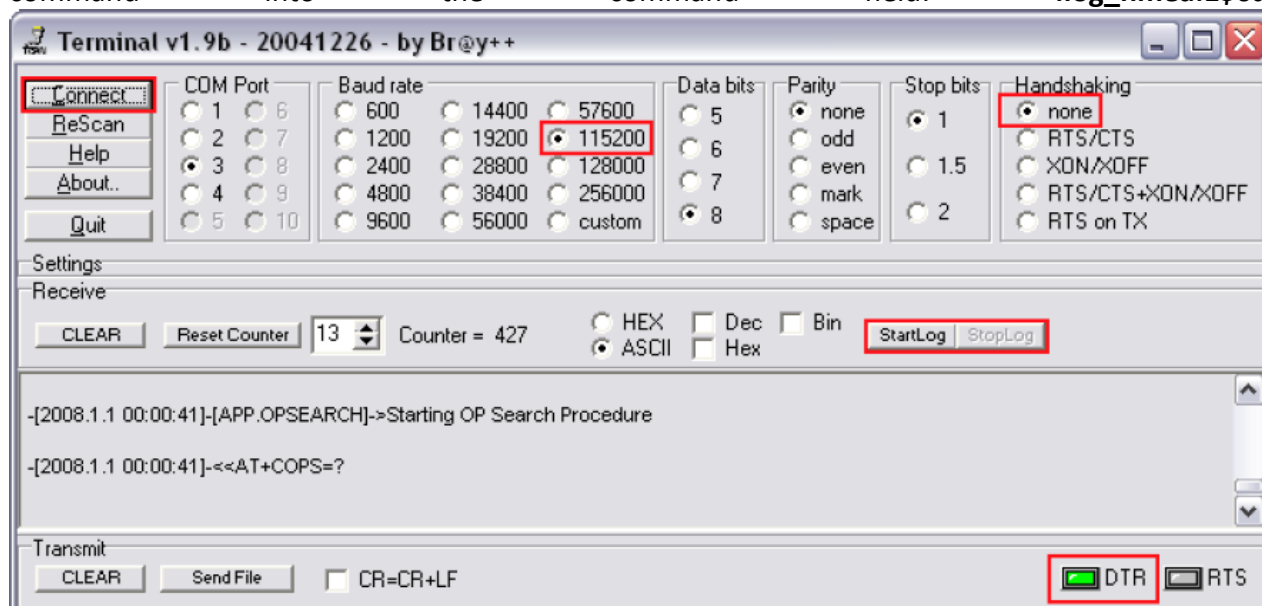


Figure 50 Terminal window for logging

## 8 Parameter List

### 8.1 Parameters value types

- S8 – Signed Char
- S8[n] – String of  $n$  Char
- U8 – Unsigned Char
- U16 – Unsigned Short
- S32 – Signed Integer
- U32 – Unsigned Integer
- U64 – Unsigned Long Long Integer

### 8.2 System parameters

#### 8.2.1 Sleep Mode (ID=1000)

Device has two sleep modes: sleep and deep sleep mode. While sleep is disabled (value 0) module will never enter sleep mode, in sleep mode (value 1) module reduces level of power usage by turning GPS module to sleep, in deep sleep mode (value 2) module turns GPS module to sleep and switch GSM module off (note, that FM1120 do not receive SMS while in deep sleep).

Minimum value	Maximum value	Recommended value	Goes with (depends on) parameters	Value type
0	2	-		U8

#### 8.2.2 Sleep timeout (ID=200)

Sleep timeout is time after which FM1120 goes to sleep or deep sleep if other requirements are met. It is measured in minutes.

Minimum value	Maximum value	Recommended value	Goes with (depends on) parameters	Value type
1	3000	-		U8

#### 8.2.3 Analog Input value range (ID=1001)

Analog input measuring resolution and range can be defined as 0...10V (value 0) or 1...30V (value 1).

Minimum value	Maximum value	Recommended value	Goes with (depends on) parameters	Value type
0	1	-		U8

#### 8.2.4 Stop Detection Source (ID=1002)

Device can operate and change its working mode according to motion detection source: ignition (value 0), movement sensor (value 1), GPS (value 2).

Minimum value	Maximum value	Recommended value	Goes with (depends on) parameters	Value type
0	2	-		U8

### 8.2.5 Static Navigation (ID=1003)

When static navigation is enabled, FM1120 filters out GPS jumps, when it is not moving. When it is disabled, it does not make any changes to collected GPS data.

Minimum value	Maximum value	Recommended value	Goes with (depends on) parameters	Value type
0	1	1		U8

### 8.2.6 Saving/Sending without time synchronization (ID=201)

When this feature is enabled (value = 1), then records can be saved and sent to server without time synchronization.

Minimum value	Maximum value	Recommended value	Goes with (depends on) parameters	Value type
0	1	1		U8

### 8.2.7 GNSS System (ID=202)

This parameter sets Satellite System, available values: 0 – GNSS (all available); 1 – GPS only; 2 – GLONASS only.

Minimum value	Maximum value	Recommended value	Goes with (depends on) parameters	Value type
0	2	0		U8

### 8.2.8 Ignition source (ID=1004)

Device can operate and change its working mode according to motion detection source: Power Voltage (value 0), Digital Input 1 (value 1), movement (value 2).

Minimum value	Maximum value	Recommended value	Goes with (depends on) parameters	Value type
0	2	-	Power Voltage High Level (ID=1005) Power Voltage Low Level (ID=1006)	U8

### 8.2.9 Power Voltage High Level (ID=1005)

When ignition source is selected as Power Voltage High level for ignition detection must be set.

Minimum value	Maximum value	Recommended value	Goes with (depends on) parameters	Value type
0	30000	-	Ignition source (ID=1004) Power Voltage Low Level (ID=1006)	U16

### 8.2.10 Power Voltage Low Level (ID=1006)

When ignition source is selected as Power Voltage High level for ignition detection must be set.

Minimum value	Maximum value	Recommended value	Goes with (depends on) parameters	Value type
0	30000	-	Ignition source (ID=1004) Power Voltage High Level (ID=1005)	U16

#### 8.2.11 Enable NTP - network time synchronization (ID=1008)

This parameter activates NTP network time synchronization, available values: 0 – disable, 1- enable.

Minimum value	Maximum value	Recommended value	Goes with (depends on) parameters	Value type
0	1	0		U8

#### 8.2.12 GNSS fix timeout for the time synchronization (ID=1007)

Defines the time when GNSS fix is timeout and network time synchronization protocol is activated. The input value contains time in seconds

Minimum value	Maximum value	Recommended value	Goes with (depends on) parameters	Value type
0	259200	-		U32

### 8.3 Records parameters

#### 8.3.1 Sorting (ID=1010)

Record sorting parameter is responsible for record sorting order. Value of 0 arranging data starting from newest, while value of 1 arranging data starting from oldest.

Minimum value	Maximum value	Recommended value	Goes with (depends on) parameters	Value type
0	1	-		U8

#### 8.3.2 Active Data Link Timeout (ID=1011)

Defines for how many seconds device will keep connection to the server after successful data transfer while waiting for a new record.

Minimum value	Maximum value	Recommended value	Goes with (depends on) parameters	Value type
0	259200	-		U32

### 8.3.3 Server Response Timeout (ID=1012)

Defines time period (in seconds) for server response to sent records.

Minimum value	Maximum value	Recommended value	Goes with (depends on) parameters	Value type
1	300	-		U8



ATTENTION! Some GSM operators may disconnect the device from an active data link if the device doesn't send any data for a very long time, even if active data link timeout is set to maximum value. The amount of time that an operator keeps the link open depends solely on the operator. For example, if active data link timeout is set to maximum, 259200 seconds (72 hours), and the device sends data to server every 86400 seconds (24 hours), the operator might disconnect the link earlier and the device will have to connect to the server anew. This may cost extra, depending on the operator GPRS data charge. It is strongly recommended, when using active data link timeout, that data sending to the server should not be very rare (24 hours or more). If data sending is more frequent, then the operator will not disconnect the device from the server.

## 8.4 GSM parameters

### 8.4.1 GPRS content activation (ID=1240)

Parameter allows or does not allow GPRS usage. If GPRS is not allowed value is 0, if GPRS is allowed value is 1.

Minimum value	Maximum value	Recommended value	Goes with (depends on) parameters	Value type
0	1	-	APN Name (ID=1242) APN username (ID=1243) APN Password (ID=1244)	S8

### 8.4.2 APN Name (ID=1242)

Parameter defines GPRS Access Point Name.

Minimum value	Maximum value	Recommended value	Goes with (depends on) parameters	Value type
Empty	32 char string	-	GPRS content activation (ID=1240) APN username (ID=1243) APN Password (ID=1244)	S8[32]

### 8.4.3 APN username (ID=1243)

Parameter defines APN username. In case operator does not use username for login, value should be empty.

Minimum value	Maximum value	Recommended value	Goes with (depends on) parameters	Value type
Empty	30 char string	-	GPRS content activation (ID=1240) APN Name (ID=1242) APN Password (ID=1244)	S8[30]

#### 8.4.4 APN Password (ID=1244)

Parameter defines APN password. In case operator does not use password for login, value should be empty.

Minimum value	Maximum value	Recommended value	Goes with (depends on) parameters	Value type
Empty	30 char string	-	GPRS content activation (ID=1240) APN Name (ID=1242) APN username (ID=1243)	S8[30]

#### 8.4.5 Domain (ID=1245)

Parameter defines AVL data destination server IP address. Example: 212.47.99.62

Minimum value	Maximum value	Recommended value	Goes with (depends on) parameters	Value type
0	31 char string	-	GPRS content activation (ID=1240) Domain (ID=1245)	S8[16]

#### 8.4.6 Target Server Port (ID=1246)

Parameter defines AVL data destination server port number. Example: 12050

Minimum value	Maximum value	Recommended value	Goes with (depends on) parameters	Value type
Empty	65535	-	GPRS content activation (ID=1240) Target Server Port (ID=1246)	U16

#### 8.4.7 Protocol (ID=1247)

Parameter defines GPRS data transport protocol. Module can use TCP or UDP transport protocol to send data to server. For TCP protocol value is 0, for UDP protocol value is 1.

Minimum value	Maximum value	Recommended value	Goes with (depends on) parameters	Value type
0	1	-	GPRS content activation (ID=1240)	U8

#### 8.4.8 SMS Login (ID=1252)

User login is used to ensure module security. Used in every SMS that is sent to device. Example: ba321

Minimum value	Maximum value	Recommended value	Goes with (depends on) parameters	Value type
Empty	5 char	-	SMS Password (ID=1253)	S8[5]

#### 8.4.9 SMS Password (ID=1253)

User password is used to ensure module security. Used in every SMS that is sent to device. Example: ab123

Minimum value	Maximum value	Recommended value	Goes with (depends on) parameters	Value type
Empty	5 char	-		S8[5]

#### 8.4.10 SMS data sending settings (ID=1250)

Parameter allows or does not allow sending AVL data using binary SMS. If SMS use is not allowed value is 0 and 1 if SMS use is allowed.

Minimum value	Maximum value	Recommended value	Goes with (depends on) parameters	Value type
0	1	-	SMS Data send week time schedule (ID=1273)	S8

#### 8.4.11 SMS Data send week time schedule (ID=1273)

Parameter defines SMS data sending according to week time schedule. This parameter is used to set data sending on selected week days and hours. Minimum time step is 10 minutes.

Example value: 7F,FF,FF,FF,FF,FF,FF,FF,FF,FF,FF,FF,FF,FF,FF,FF,FF,FF

For more information read 8.5.1.4 "Schedule parameter format".

#### 8.4.12 Authorized phone numbers (ID=1260-1270)

If at least one number is entered then only those number can send messages to device. Number must be entered without "+" or "00".

Example: 37060012346

Minimum value	Maximum value	Recommended value	Goes with (depends on) parameters	Value type
1 digit	16 digits	-		S8[17]

If SMS data sending is enabled (ID=1130) first value in a list is server GSM number. The SMS with 24 coordinates is sent to this number.

#### 8.4.13 SMS Event PreDefined Numbers (ID=150-159)

In this field are written GSM numbers, to which will be sent "Event SMS" text message. Number must be entered without "+" or "00".

Example: 37060012346

Minimum value	Maximum value	Recommended value	Goes with (depends on) parameters	Value type
1 digit	16 digits	-		S8[17]

#### 8.4.14 Operator List (ID=1271 X)

Parameter defines operator list. According to this list module selects operating profile. GSM operator codes are comma separated. First in a list is *Home Operator Code*, then Preferred Roaming Operator Codes are written.

X defines starting position that is changed: If X is from 0 to 49, X means index of operator code which has to be configured. Up to 20 operator codes may be configured in 1 SMS. Example: *setparam 1271 16 24602,24603,24605*

Here 16<sup>th</sup>, 17<sup>th</sup> and 18<sup>th</sup> operator codes are set. Note! Other operator codes are left unchanged in the configuration.



Minimum value	Maximum value	Recommended value	Goes with (depends on) parameters	Value type
Empty	7 digits	-		U32

## 8.5 Data Acquisition Modes parameters

### 8.5.1 Home Network GSM operator code “Vehicle on STOP” parameters

#### 8.5.1.1 Min Period (ID=1540)

This parameter indicates time interval in seconds in order to acquire new record. If value is 0 it means no records by min period will be saved.

Minimum value	Maximum value	Recommended value	Goes with (depends on) parameters	Value type
0	2592000	-		U32

#### 8.5.1.2 Min Saved Records (ID=1543)

This parameter defines minimum number of records in one data packet that can be sent to server. It has higher priority than Data Send Period (ID=1544).

Minimum value	Maximum value	Recommended value	Goes with (depends on) parameters	Value type
1	255	1	GPRS Week Time (ID=1545)	U8

#### 8.5.1.3 Send Period (ID=1544)

This parameter indicates frequency (time interval in seconds) of sending data to server.

Minimum value	Maximum value	Recommended value	Goes with (depends on) parameters	Value type
0	2592000	-	Min Saved Records (ID=1543) GPRS Week Time (ID=1545)	U32

#### 8.5.1.4 GPRS Week Time (ID=1545)

This parameter manages when it is allowed to open GPRS context. When module starts it is prohibited to open the context. When modem’s GPRS context is closing (for example changing network) it is allowed to open it only at a defined time. It is possible to allow connections every 10 minutes up to once per day.

Example value: 7F,FF,FF,FF,FF,FF,FF,FF,FF,FF,FF,FF,FF,FF,FF,FF,FF,FF,FF,FF

#### **Schedule parameter format:**

Time is defined as 19 byte array. First byte of array defines week days; the rest 18 bytes define timestamps with 10 minute interval. In first byte, first bit (LSB) defines if module should connect to GPRS (send SMS) on Monday, second bit – on Tuesday and so on up to seventh bit – which means Sunday. Eighth bit (MSB) is not used. If bits value is 0 then device is not allowed to open GPRS context, but if it is already open – does not close it. If value is 1 it will work as day minutes are defined in rest of the bytes. Day’s minutes are defined by 18 bytes (144 bits). Every n<sup>th</sup> bit (beginning from the first bit (LSB) and ending 18 bytes 8<sup>th</sup> bit (MSB)) indicates every 10<sup>th</sup> minute of the day (day has 1440 minutes).

Sample: GPRS will be allowed on Monday to Friday at 8:00 and 16:00 GMT. The following value should be configured:

00011111 00000000 00000000 00000000 00000000 00000000 00000000 00000000 00000000 00000000 00000000 00000000 00000000 00000000 00000000 00000000 00000000 00000000 00000000 00000000

Red bits indicate that GPRS will be allowed every day except Saturdays and Sundays. Blue bits indicate 480 and 720 minutes (480min = 8h and 720min = 16h). So the parameter value should be: 1F,00,00,00,00,00,00,01,00,00,00,00,00,01,00,00,00,00

It should be sent as UTF8 encoded string.

### 8.5.2 Home Network GSM operator code “Vehicle MOVING” parameters

#### 8.5.2.1 Min Period (ID=1550)

This parameter indicates time interval in seconds in order to acquire new record. If value is 0 it means no records by min period will be saved.

Minimum value	Maximum value	Recommended value	Goes with (depends on) parameters	Value type
0	2592000	-	Min Distance (ID=1551) Min Angle (ID=1552) Min Speed (ID=1556) GPRS Week Time (ID=1555)	U32

#### 8.5.2.2 Min Distance (ID=1551)

This parameter indicates distance in meters in order to acquire new record. Record is stored when the distance between previous records is greater than parameters value. If value is 0 it means no records by min distance will be saved.

Minimum value	Maximum value	Recommended value	Goes with (depends on) parameters	Value type
0	65535	-	Min Period (ID=1550) Min Angle (ID=1552) Min Speed (ID=1556) GPRS Week Time (ID=1555)	U32

#### 8.5.2.3 Min Angle (ID=1552)

This parameter indicates angle in degrees in order to acquire new record. If angle difference between last recorded coordinate and current position is greater than defined value, new record is stored. This parameter is operational, when speed is higher than 10km/h. If value is 0 it means no records by min angle will be saved.

Minimum value	Maximum value	Recommended value	Goes with (depends on) parameters	Value type
0	180	-	Min Period (ID=1550) Min Distance (ID=1551) Min Speed (ID=1556) GPRS Week Time (ID=1555)	U16

#### 8.5.2.4 Min Speed (ID=1556)

This parameter indicates speed difference in order to acquire new record. If speed difference between last recorded coordinate and current position is greater than defined value, new record is stored. If value is 0 it means no records by min distance will be saved.

Minimum value	Maximum value	Recommended value	Goes with (depends on) parameters	Value type

0	255	10	<b>Min Period (ID=1550)</b> <b>Min Distance (ID=1551)</b> <b>Min Angle (ID=1552)</b> <b>Min Speed (ID=1556)</b> <b>GPRS Week Time (ID=1555)</b>	U16
---	-----	----	---	-----

#### 8.5.2.5 Min Speed Source (ID=1557)

This parameter defines Source for speed difference calculation: 0 – GPS, 1 – LVCAN

Minimum value	Maximum value	Recommended value	Goes with (depends on) parameters	Value type
0	255	10	Min Speed (ID=1556)	U16

#### 8.5.2.6 Min Saved Records (ID=1553)

This parameter defines minimum number of records in one data packet that can be sent to server. It has higher priority than Data Send Period (ID=1554).

Minimum value	Maximum value	Recommended value	Goes with (depends on) parameters	Value type
1	255	1	<b>Min Period (ID=1550)</b> <b>Min Distance (ID=1551)</b> <b>Min Angle (ID=1552)</b> <b>Min Speed (ID=1556)</b> <b>GPRS Week Time (ID=1555)</b>	U8

#### 8.5.2.7 Send Period (ID=1554)

This parameter indicates frequency (time interval in seconds) of sending data to server.

Minimum value	Maximum value	Recommended value	Goes with (depends on) parameters	Value type
0	2592000	-	GPRS Week Time (ID=1555)	U32

#### 8.5.2.8 GPRS Week Time (ID=1555)

Read 8.5.1.4.

### 8.5.3 Roaming Network GSM operator code “Vehicle on STOP” parameters

#### 8.5.3.1 Min Period (ID=1560)

This parameter indicates time interval in seconds in order to acquire new record. If value is 0 it means no records by min period will be saved.

Minimum value	Maximum value	Recommended value	Goes with (depends on) parameters	Value type
0	2592000	-		U32

#### 8.5.3.2 Min Saved Records (ID=1563)

This parameter defines minimum number of records in one data packet that can be sent to server. It has higher priority than Data Send Period (ID=1564).

Minimum value	Maximum value	Recommended value	Goes with (depends on) parameters	Value type
1	255	1	GPRS Week Time (ID=1565)	U8

### 8.5.3.3 Send Period (ID=1564)

This parameter indicates frequency (time interval in seconds) of sending data to server.

Minimum value	Maximum value	Recommended value	Goes with (depends on) parameters	Value type
0	2592000	-	Min Saved Records (ID=1563) GPRS Week Time (ID=1565)	U32

### 8.5.3.4 GPRS Week Time (ID=1565)

Read chapter 8.5.1.4.

## 8.5.4 Roaming Network GSM operator code “Vehicle MOVING” parameters

### 8.5.4.1 Min Period (ID=1570)

This parameter indicates time interval in seconds in order to acquire new record. If value is 0 it means no records by min period will be saved.

Minimum value	Maximum value	Recommended value	Goes with (depends on) parameters	Value type
0	2592000	-	Min Distance (ID=1571) Min Angle (ID=1572) Min Speed (ID=1576) GPRS Week Time (ID=1575)	U32

### 8.5.4.2 Min Distance (ID=1571)

This parameter indicates distance in meters in order to acquire new record. Record is stored when the distance between previous records is greater than parameter’s value. If value is 0 it means no records by min distance will be saved.

Minimum value	Maximum value	Recommended value	Goes with (depends on) parameters	Value type
0	65535	-	Min Period (ID=1570) Min Angle (ID=1572) Min Speed (ID=1576) GPRS Week Time (ID=1575)	U32

### 8.5.4.3 Min Angle (ID=1572)

This parameter indicates angle in degrees in order to acquire new record. If angle difference between last recorded coordinate and current position is greater than defined value, new record is stored. This parameter is operational, when speed is higher than 10km/h. If value is 0 it means no records by min angle will be saved.

Minimum value	Maximum value	Recommended value	Goes with (depends on) parameters	Value type
0	180	-	Min Distance (ID=1571) Min Period (ID=1570) Min Speed (ID=1576) GPRS Week Time (ID=1575)	U16

#### 8.5.4.4 Min Speed (ID=1576)

This parameter indicates speed difference in order to acquire new record. If speed difference between last recorded coordinate and current position is greater than defined value, new record is stored. If value is 0 it means no records by min distance will be saved.

Minimum value	Maximum value	Recommended value	Goes with (depends on) parameters	Value type
0	255	10	Min Period (ID=1570) Min Distance (ID=1571) Min Angle (ID=1572) Min Speed Source (ID=1577) GPRS Week Time (ID=1575)	U16

#### 8.5.4.5 Min Speed Source (ID=1577)

This parameter defines Source for speed difference calculation: 0 – GPS, 1 – LVCAN

Minimum value	Maximum value	Recommended value	Goes with (depends on) parameters	Value type
0	1	0	Min Speed (ID=1576)	U8

#### 8.5.4.6 Min Saved Records (ID=1573)

This parameter defines minimum number of records in one data packet that can be sent to server. It has higher priority than Data Send Period (ID=1574).

Minimum value	Maximum value	Recommended value	Goes with (depends on) parameters	Value type
1	255	1	Min Period (ID=1570) Min Distance (ID=1571) Min Angle (ID=1572) Min Speed (ID=1576) GPRS Week Time (ID=1575)	U8

#### 8.5.4.7 Send Period (ID=1574)

This parameter indicates frequency (time interval in seconds) of sending data to server.

Minimum value	Maximum value	Recommended value	Goes with (depends on) parameters	Value type
0	2592000	-	Min Saved Records (ID=1573) GPRS Week Time (ID=1575)	U32

#### 8.5.4.8 GPRS Week Time (ID=1575)

*Read chapter 8.5.1.4.*

### 8.5.5 Unknown Network GSM operator code “Vehicle on STOP” parameters

#### 8.5.5.1 Min Period (ID=1580)

This parameter indicates time interval in seconds in order to acquire new record. If value is 0 it means no records by min period will be saved.

Minimum	Maximum	Recommended	Goes with (depends on)	Value
---------	---------	-------------	------------------------	-------

value	value	value	parameters	type
0	2592000	-		U32

#### 8.5.5.2 Min Saved Records (ID=1583)

This parameter defines minimum number of records in one data packet that can be sent to server. It has higher priority than Data Send Period (ID=1584).

Minimum value	Maximum value	Recommended value	Goes with (depends on) parameters	Value type
1	255	1	GPRS Week Time (ID=1585)	U8

#### 8.5.5.3 Send Period (ID=1584)

This parameter indicates frequency (time interval in seconds) of sending data to server.

Minimum value	Maximum value	Recommended value	Goes with (depends on) parameters	Value type
0	2592000	-	Min Saved Records (ID=1583) GPRS Week Time (ID=1585)	U32

#### 8.5.5.4 GPRS Week Time (ID=1585)

*Read chapter 8.5.1.4.*

### 8.5.6 Unknown Network GSM operator code “Vehicle MOVING” parameters

#### 8.5.6.1 Min Period (ID=1590)

This parameter indicates time interval in seconds in order to acquire new record. If value is 0 it means no records by min period will be saved.

Minimum value	Maximum value	Recommended value	Goes with (depends on) parameters	Value type
0	2592000	-	Min Distance (ID=1571) Min Angle (ID=1572) Min Speed (ID=1596) GPRS Week Time (ID=1595)	U32

#### 8.5.6.2 Min Distance (ID=1591)

This parameter indicates distance in meters in order to acquire new record. Record is stored when the distance between previous records is greater than parameter's value. If value is 0 it means no records by min distance will be saved.

Minimum value	Maximum value	Recommended value	Goes with (depends on) parameters	Value type
0	65535	-	Min Period (ID=1570) Min Angle (ID=1572) Min Speed (ID=1596) GPRS Week Time (ID=1595)	U32

#### 8.5.6.3 Min Angle (ID=1592)

This parameter indicates angle in degrees in order to acquire new record. If angle difference between last recorded coordinate and current position is greater than defined value, new record is stored. This parameter is operational, when speed is higher than 10km/h. If value is 0 it means no records by min angle will be saved.

Minimum value	Maximum value	Recommended value	Goes with (depends on) parameters	Value type
0	180	-	Min Period (ID=1570) Min Distance (ID=1571) Min Speed (ID=1596) GPRS Week Time (ID=1595)	U16

#### 8.5.6.4 Min Speed (ID=1596)

This parameter indicates speed difference in order to acquire new record. If speed difference between last recorded coordinate and current position is greater than defined value, new record is stored. If value is 0 it means no records by min distance will be saved.

Minimum value	Maximum value	Recommended value	Goes with (depends on) parameters	Value type
0	255	1	Min Period (ID=1590) Min Distance (ID=1591) Min Angle (ID=1592) Min Speed Source (ID=1597) GPRS Week Time (ID=1595)	U16

#### 8.5.6.5 Min Speed Source (ID=1597)

This parameter defines Source for speed difference calculation: 0 – GPS, 1 – LVCAN

Minimum value	Maximum value	Recommended value	Goes with (depends on) parameters	Value type
0	1	0	Min Speed (ID=1596)	U8

#### 8.5.6.6 Min Saved Records (ID=1593)

This parameter defines minimum number of records in one data packet that can be sent to server. It has higher priority than Data Send Period (ID=1594).

Minimum value	Maximum value	Recommended value	Goes with (depends on) parameters	Value type
1	255	1	Min Period (ID=1590) Min Distance (ID=1591) Min Angle (ID=1592) Min Speed (ID=1596) GPRS Week Time (ID=1595)	U8

#### 8.5.6.7 Send Period (ID=1594)

This parameter indicates frequency (time interval in seconds) of sending data to server. In order to send data to server GPRS parameters must be enabled

Minimum value	Maximum value	Recommended value	Goes with (depends on) parameters	Value type
0	2592000	-	Min Saved Records (ID=1593) GPRS Week Time (ID=1595)	U32

#### 8.5.6.8 GPRS Week Time (ID=1595)

*Read chapter 8.5.1.4.*



## 8.6 Features Parameters

### 8.6.1 Digital Output No.1 usage scenarios (ID=1600)

Device can operate in its scenario according to selected value: No Scenario for Digital No.1 selected (value 0); Green Driving selected (value 1), Overspeeding selected (value 2), Jamming detection selected (value 3).

Minimum value	Maximum value	Recommended value	Goes with (depends on) parameters	Value type
0	2	-		U8

### 8.6.1 Max Acceleration Force (ID=1602)

It is max allowed acceleration force which can be reached while accelerating without triggering harsh acceleration event.

Minimum value	Maximum value	Recommended value	Goes with (depends on) parameters	Value type
0.25	0.85	0.25	Digital Output No.1 usage scenarios (ID=1600)	Float

### 8.6.2 Max Braking Force (ID=1603)

It is max allowed braking force which can be reached while braking without triggering harsh braking event.

Minimum value	Maximum value	Recommended value	Goes with (depends on) parameters	Value type
0.25	0.85	0.35	Digital Output No.1 usage scenarios (ID=1600)	Float

### 8.6.3 Max Cornering Force (ID=1604)

It is max allowed cornering angle which can be reached while cornering without triggering harsh cornering event.

Minimum value	Maximum value	Recommended value	Goes with (depends on) parameters	Value type
0.1	1.0	-	Digital Output No.1 usage scenarios (ID=1600)	U16

### 8.6.4 Max allowed Speed (ID=1605)

It is max allowed speed which can be reached. If this value exceeded Over speeding event will occur.

Minimum value	Maximum value	Recommended value	Goes with (depends on) parameters	Value type
0	260	-	Digital Output No.1 usage scenarios (ID=1600)	U16

### 8.6.5 Digital Output No.2 usage scenarios (ID=1601)

Device can operate in its scenario according to selected value: No Scenario for Digital No.2 selected (value 0); Authorized Driving (value 1), Immobilizer (value 2).

Minimum value	Maximum value	Recommended value	Goes with (depends on) parameters	Value type
0	2	-	iButton List (ID=1610-1659)	U8

### 8.6.6 Trip (ID=1280)

This parameter enables ability to detect START and STOP of the trip.

Minimum value	Maximum value	Recommended value	Goes with (depends on) parameters	Value type
0	1	-		U8

### 8.6.7 Start Speed (ID=1281)

This parameter represents speed, which is detected as minimum speed to indicate TRIP START and generate event.

Minimum value	Maximum value	Recommended value	Goes with (depends on) parameters	Value type
0	255	-	Trip (ID=1280)	U8

### 8.6.8 Ignition Off Timeout (ID=1282)

This parameter represents timeout to wait if ignition is off in order to detect TRIP STOP and generate event.

Minimum value	Maximum value	Recommended value	Goes with (depends on) parameters	Value type
0	65535	-	Trip (ID=1280)	U16

### 8.6.9 Trip Continuous distance counting (ID=1283)

For this feature I/O#11 ODOMETER must be enabled. If I/O ODOMETER is enabled, and Continuous distance counting variable is set to Continuous (value 1), TRIP distance is going to be counted continuously (from TRIP start to TRIP stop) and shown as I/O ODOMETER value.

Minimum value	Maximum value	Recommended value	Goes with (depends on) parameters	Value type
0	1	-	Trip (ID=1280) I/O#11 – Odometer (ID = 1410-1415)	U8

### 8.6.10 Geofencing

In this chapter it is explained how to get all parameters for the first Geofence zone (all ID numbers are for the 1<sup>st</sup> zone). And at the end of the chapter (part 8.6.10) is presented a table with the IDs of all the rest Geofence zones.

#### 8.6.10.1 Frame border (ID=1020)

Geofence border thickness, measured in meters.

Minimum value	Maximum value	Recommended value	Goes with (depends on) parameters	Value type

0	1000000	1000	All Geofencing parameters	U32
---	---------	------	---------------------------	-----

#### 8.6.10.2 Geofence Zone #1 Shape (ID=1030)

Geofence shape parameter can be: circle – value 0; rectangle – value 1.

Minimum value	Maximum value	Recommended value	Goes with (depends on) parameters	Value type
0	1	-	All Geofencing parameters	U8

#### 8.6.10.3 Geofence Zone #1 Priority (ID=1031)

Parameter defines Geofence priority: 0 is low, 1 – high, 2 – panic;

Minimum value	Maximum value	Recommended value	Goes with (depends on) parameters	Value type
0	2	-	All Geofencing parameters	U8

#### 8.6.10.4 Geofence Zone #1 Generate Event (ID=1032)

Generate event on:

- a) No event – value 0
- b) On entering zone – value 1;
- c) On exiting zone – value 2;
- d) On both – value 3;

Minimum value	Maximum value	Recommended value	Goes with (depends on) parameters	Value type
0	3	-	All Geofencing parameters	U8

#### 8.6.10.5 Geofence Zone #1 Longitude (X1) (ID=1033)

Parameter has two meanings dependent on zone shape. If shape is a rectangle, then ID=10333 is left down corner X coordinate. If shape is a circle, then ID=1033 is center of that circle X coordinate.

Sample value: 25.30528

Minimum value	Maximum value	Recommended value	Goes with (depends on) parameters	Value type
-180	180	-	All Geofencing parameters	Float

#### 8.6.10.6 Geofence Zone #1 Latitude (Y1) (ID=1034)

Parameter has two meanings dependent on zone shape. If shape is a rectangle, then ID=1034 is left down corner Y coordinate. If shape is a circle, then ID=1034 is center of that circle Y coordinate.

Minimum value	Maximum value	Recommended value	Goes with (depends on) parameters	Value type
-90	90	-	All Geofencing parameters	Float

#### 8.6.10.7 Geofence Zone #1 Longitude (X2) (ID=1035)

Parameter has two meanings depending on zone shape. If shape is a rectangle, then ID=1035 is right upper corner X coordinate. If shape is a circle, then ID=1035 is radius of circle with center of ID=1033 and ID=1034.

For rectangle:

Minimum value	Maximum value	Recommended value	Goes with (depends on) parameters	Value type
-180	180	-	All Geofencing parameters	Float

For circle:

Minimum value	Maximum value	Recommended value	Goes with (depends on) parameters	Value type
0	1000000	1000	All Geofencing parameters	Float

#### 8.6.10.8 Geofence Zone #1 Latitude (Y2) (ID=1036)

If shape is rectangular, then ID=1036 is right upper corner Y coordinate. If shape circle, ID=1036 is not used.

Minimum value	Maximum value	Recommended value	Goes with (depends on) parameters	Value type
-90	90	-	All Geofencing parameters	Float

Other 4 GeoFence zone's parameters have the same logic as shown in GeoFence Zone #1.

GeoFence Zone Number	Geofence Zone's parameters
1	1030-1036
2	1040-1046
3	1050-1056
4	1060-1066
5	1070-1076

### 8.6.11 AutoGeofencing

#### 8.6.11.1 Enable/Disable (ID=1101)

Enable – value 1; disable – value 0;

Minimum value	Maximum value	Recommended value	Goes with (depends on) parameters	Value type
0	1	1		U8

#### 8.6.11.2 Activation Timeout (ID=1102)

Parameter represents AutoGeofencing activation timeout in seconds.

Minimum value	Maximum value	Recommended value	Goes with (depends on) parameters	Value type
0	65535	60	Enable/Disable (ID=1101)	U16

#### 8.6.11.3 Deactivate by (ID=1100)

Parameter defines Autogeofence deactivation source. Value 1 is dedicated for attached iButton, value 0 – for Ignition.

Minimum value	Maximum value	Recommended value	Goes with (depends on) parameters	Value type
0	1	-	Enable/Disable (ID=1101) iButton List (ID=1610-1659)	U8

#### 8.6.11.4 AutoGeofence event Priority (ID=1103)

Parameter defines AutoGeofence event priority: 0 is low, 1 – high;

Minimum value	Maximum value	Recommended value	Goes with (depends on) parameters	Value type
0	1	1	Enable/Disable (ID=1101) AutoGeofence event generating (ID=1104)	U8

#### 8.6.11.5 AutoGeofence event generating (ID=1104)

Generate event: 0 – no event, 1 – on entering zone; 2 – on exiting zone; 3 – on both;

Minimum value	Maximum value	Recommended value	Goes with (depends on) parameters	Value type
0	3	2	Enable/Disable (ID=1101) AutoGeofence event Priority (ID=1103)	U8

#### 8.6.11.6 Radius (ID=1105)

Parameter represents radius of circle with center device coordinates after activating AutoGeofence feature.

Minimum value	Maximum value	Recommended value	Goes with (depends on) parameters	Value type
0	1000000	100	Enable/Disable (ID=1101) Deactivate by (ID=1100)	U32

#### 8.6.12 iButton List (ID=1610-1659)

Read 5.4.4.

Minimum value	Maximum value	Recommended value	Goes with (depends on) parameters	Value type
0	FFFFFFFF FFFFFFFF	-	Digital Output No.2 usage scenarios (ID=1601) Deactivate by (ID=1100)	U64

### 8.7 I/O parameters

I/O properties are additional data sources which are recorded along with usual GPS data.

#### 8.7.1 I/O#1 property parameter (ID=1300)

Parameter defines I/O property value. Possible values: enabled (1), disabled (0).

Minimum value	Maximum value	Recommended value	Goes with (depends on) parameters	Value type
0	1	-	I/O#1 priority (ID=1301) I/O#1 High level (ID=1302) I/O#1 Low level (ID=1303) I/O#1 logic operand (ID=1304) I/O#1 averaging length (ID=1305)	S8

#### 8.7.2 I/O#1 priority (ID=1301)

Parameter defines I/O property type of priority: 0 is low, 1 – high, 2 – panic.

Minimum value	Maximum value	Recommended value	Goes with (depends on) parameters	Value type
0	2	0	I/O#1 property parameter (ID=1300) I/O#1 High level (ID=1302) I/O#1 Low level (ID=1303) I/O#1 logic operand (ID=1304) I/O#1 averaging length (ID=1305)	S8

### 8.7.3 I/O#1 High level (ID=1302)

Parameter defines high value of triggered I/O property. This parameter is used to set thresholds for I/O properties to generate events.

Minimum value	Maximum value	Recommended value	Goes with (depends on) parameters	Value type
-2147483647	2147483647	1	I/O#1 property parameter (ID=1300) I/O#1 priority (ID=1301) I/O#1 Low level (ID=1303) I/O#1 logic operand (ID=1304) I/O#1 averaging length (ID=1305)	S32

### 8.7.4 I/O#1 Low level (ID=1303)

Parameter defines low value of triggered I/O property. This parameter is used to set thresholds for I/O properties to generate events.

Minimum value	Maximum value	Recommended value	Goes with (depends on) parameters	Value type
-2147483647	2147483647	0	I/O#1 property parameter (ID=1300) I/O#1 priority (ID=1301) I/O#1 High level (ID=1302) I/O#1 logic operand (ID=1304) I/O#1 averaging length (ID=1305)	S32

### 8.7.5 I/O#1 logic operand (ID=1304)

Parameter defines when event is sent: 0 – on range exit, 1 – on range entrance, 2 – both, 3 – monitoring, 4 – hysteresis, 5 – on changes.

Minimal value	Maximum value	Recommended value	Goes with (depends on) parameters	Value type
0	4	3	I/O#1 property parameter (ID=1300) I/O#1 priority (ID=1301) I/O#1 High level (ID=1302) I/O#1 Low level (ID=1303) I/O#1 averaging length (ID=1305)	S8

### 8.7.6 I/O#1 averaging length (ID=1305)

Parameter defines I/O property sample length to average. If no averaging needed default value is 1.

Minimum value	Maximum value	Recommended value	Goes with (depends on) parameters	Value type
0	2592000	1	<b>I/O#1 property parameter (ID=1300)</b> <b>I/O#1 priority (ID=1301)</b> <b>I/O#1 High level (ID=1302)</b> <b>I/O#1 Low level (ID=1303)</b> <b>I/O#1 logic operand (ID=1304)</b>	S32

Other I/O property elements can be configured in same logic. All I/O element parameters are listed in the next table.



I/O Element Number	I/O element parameters
Digital Input 1	1300-1305
Digital Input 2	1310-1315
Digital Input 3	1320-1325
Analog Input 1	1330-1335
Digital Output 1	1340-1345
Digital Output 2	1350-1355
GNSS PDOP	1360-1365
GNSS HDOP	1370-1375
External Voltage	1380-1385
GNSS Power	1390-1395
Movement Sensor	1400-1405
Odometer Value	1410-1415
GSM Operator	1420-1425
Speed (Km/h)	1430-1435
iButton ID	1440-1445
Mode	1450-1455
GSM Signal	1460-1465
Deep Sleep	1470-1475
Cell ID	1480-1485
Area Code	1490-1495
Dallas Temperature	1500-1505
Reserved	1510-1515
Reserved	1520-1525
Battery Voltage	1530-1535
Battery Charging Current	1110-1115
Ignition	1120-1125
Reserved IO1	1130-1135
Reserved IO2	1140-1145
Reserved IO3	1150-1155

## 8.8 SMS event configuration

### 8.8.1 I/O#1 element SMS event configuration (ID=100)

Command sets SMS warning on I/O#1 element.

SMS Format: setparam X Y,W,Z

X – ID

Y – Enable/Disable (1/0)

W – Telephone number INDEX (See **8.4.13 SMS Event Predefined Numbers** paragraph, ID 150 – INDEX 0; ID151 – INDEX 1, ...)

Z – SMS Text

Example: “setparam 100 1,5,Digital Input 1 Event!”

Other I/O element SMS events can be configured in same logic. All I/O element SMS event IDs are listed in the next table.

Element name (default SMS Event Text)	ID
Digital input 1	100
Digital input 2	101
Digital input 3	102
Reserved	103
Analog input	104
Reserved	105
Digital output 1	106
Digital output 2	107
GNSS PDOP	108
GNSS HDOP	109
Power voltage	110
GNSS power	111
Movement	112
Odometer	113
GSM operator code	114
Speed	115
iButton ID	116
Operating mode	117
GSM signal	118
DeepSleep	119
GSM Cell ID (CID)	120
GSM Location Area Code (LAC)	121
Temperature	122
Battery Voltage	123
Battery Current	124
Ignition	125

Reserved for future use	126
Reserved for future use	127
Reserved for future use	128
LVCAN Speed	129
LVCAN Accelerator pedal position	130
LVCAN Total fuel used	131
LVCAN Fuel level (liters)	132
LVCAN Engine RPM	133
LVCAN Vehicle distance	134
LVCAN Fuel level (proc.)	135
LVCAN Program number	136
EcoDriving	137
<i>Not used</i>	138
Overspeeding	139
Authorized driving	140
Immobilizer	141
Trip	142
Geofence 1	143
Geofence 2	144
Geofence 3	145
Geofence 4	146
Geofence 5	147
AutoGeofence	148
Jamming Ended	149
Independent Custom Scenario	150

## 9 FM1100 with LV-CAN200 and ALL-CAN300 Can Adapters

### 9.1 Purpose of Can Adapters LV-CAN200 and ALL-CAN300

LV-CAN200 is used to listening data from light vehicles, while ALL-CAN300 is used to listening data from any type of transport: light vehicles, Trucks, busses, agriculture and other special transport. With those adapters FM1100 device is able to collect and send vehicle data.

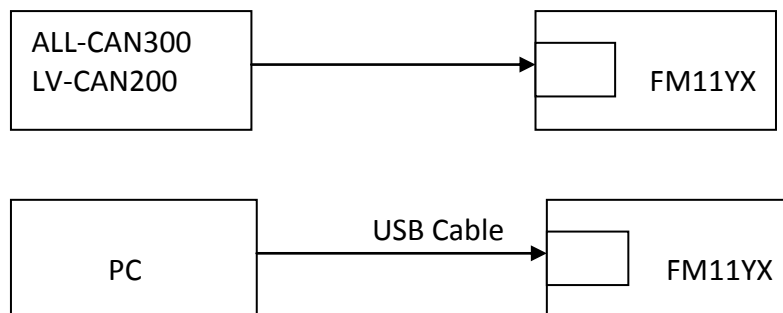


Figure 51 connection block diagram

FM1100 shares the same USB port for connecting adapter and configuring device with PC.

LV-CAN200 and ALL-CAN300 Technical characteristics:

PARAMETER	VALUE
Supply voltage	9 to 50V
Power supply current	Average 10mA Max (peak) 100mA
Working temperature	-40..85 °C
Max working humidity	60 % (non condensate)

## 9.2 LV-CAN200 and ALL-CAN300 program number selection

LV-CAN200 or ALL-CAN300 must be set to program number which depends on vehicle model. **Needed program number is always written on LV-CAN200 or ALL-CAN300 mounting scheme.** Please contact Your Teltonika sales manager to get latest supported vehicle list and mounting scheme for your vehicle, please provide CAR manufacturer, model and year information.

### 9.2.1 LV-CAN200 and ALL-CAN300 program number configuration via SMS command

LV-CAN200 and ALL-CAN300 program number can be set remotely, using SMS command:

#### **lvcansetprog X**

X is new program number value.

### 9.2.2 Selecting LV-CAN200 and ALL-CAN300 program number manually

Steps to set program number:

- Hold SWITCH down till LED stars blinking
- Release the SWITCH

- Then LED starts blinking and counting first digit of program number, (one blink means digit 1, two blink digit 2 etc.)
- To stop counter push SWITCH
- Release the SWITCH, then LED starts blinking and counting second digit of program number
- To stop counter push SWITCH
- Release the SWITCH, then LED starts blinking and counting third digit on program number
- To stop counter push SWITCH
- Release SWITCH, if programming is succeeded LED will blink 10 times



Figure 52 Adapter signaling led

### 9.3 Connecting FM1100 Can adapters ALL-CAN300 and LV-CAN200

Connect USB Plug to FM1100 device, connect Light Vehicles Can adapter to other end of the cable.

Connect Light Vehicles Can adapter Pin 1 and Pin 2 to cars CAN bus. CAN interface location of the supported light vehicle is described on mounting scheme.

Connect car power supply lines to Pin 3 positive, Pin 4 Negative.

Pins 9,10 connection is optional it depends on exact car model.

For exact pinout see sticker on Light Vehicles Can adapter.

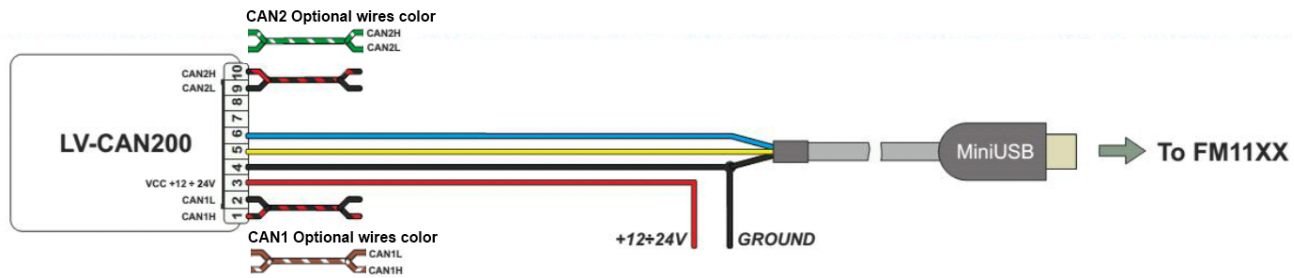


Figure 53 LV-CAN200 Adapter connection cable pinout

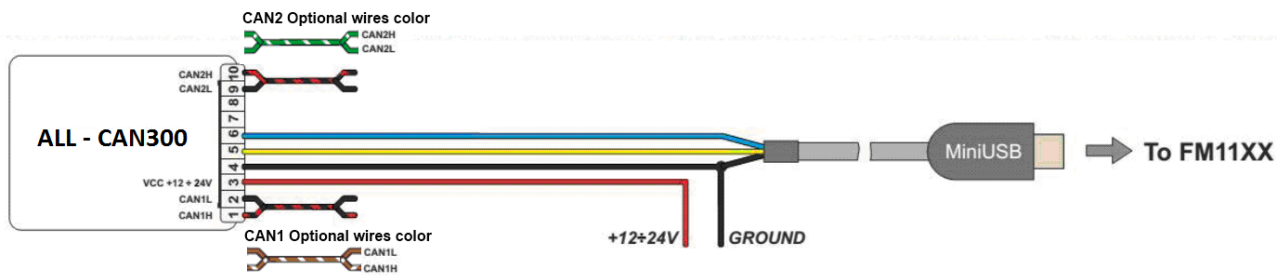


Figure 54 ALL-CAN300 Adapter connection cable pinout



**Attention!** For detailed connection diagram of adapter to light vehicle please contact Teltonika, LTD sales representative and provide CAR manufacturer, model and year information.



**Attention!** Do not swap CAN L and CAN H lines.  
Do not swap power supply lines. Make sure that voltage do not exceeds 30V.  
Power supply lines should be connected at the end of installation work.

## 9.4 FM11 Configuration

FM1100 shares the same USB port for connecting LV-CAN200 or ALL-CAN300 adapter and configuring device with PC.

FM1100 can be configured using “SCAN” function or “Offline Configuration” (Figure 58)

**SCAN function** – is in use when FM1100 is connected to CAN adapter (Figure 55), then wait 10s (Note, that car engine must be started), disconnect adapter from FM1100, and connect PC USB cable to FM1100 Device (Figure 56). It is very important not to disconnect FM1100 from power source during this operation, because if FM1100 is reconnected all received CAN bus data will be lost. FM1100 remembers received data from LV-CAN200 or ALL-CAN300 and at the end of the procedure when “SCAN” button is pressed, user will see all CAN data which is sent by adapter. Enable CAN data which needs send to server and save configuration pressing “Save” button.

To configure CAN data:

1. In car, connect LV-CAN200 or ALL-CAN300 to CAN bus and to the FM1100 device (Figure 55), wait 10 seconds. Note, that car engine must be started.
2. Disconnect LV-CAN200 or ALL-CAN300 from FM1100, and connect PC USB cable to FM1100 Device (Figure 56). It is very important not to disconnect FM1100 from power source, because then all CAN data will be lost.

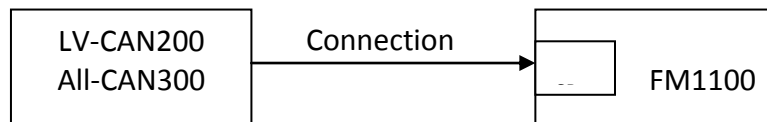


Figure 55 Connect adapter LV-CAN100 to FM1100

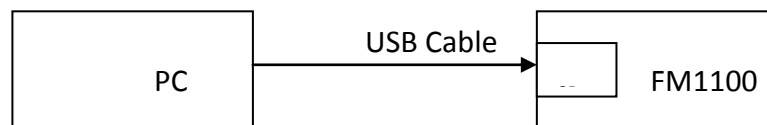


Figure 56 Connect FM1100 to PC and configure

CAN bus data which can be read from your car is shown in “Light or ALL Vehicles Can adapter supported cars” document.

**Offline configuration** – user can select which CAN data will be red from LV-CAN200 or ALL-CAN300 and directly sent to server without connection to adapter. Please note that parameters depend on vehicle manufacturer and vehicle model. Please for further information check “Light and All Vehicles Can adapter supported cars” document.



There are two types of operations with CAN data elements:

- Monitoring of CAN bus data
- CAN bus data event capturing

Monitoring method is used when user wants to receive CAN data on regular basis, for example every 20 seconds.

Event functionality is used to store additional AVL packet when state of CAN element is changing. For example Speed changes, low fuel level, engine temperate, etc.

Send data to server field – allows enabling CAN element so it is added to the AVL data packet and sent to the server. By default, all CAN elements are disabled and FM1100 records only GPS data.

It is possible to set CAN message priority: On Low Priority, On High Priority, and On Panic. Regular packets are sent as Low priority records. When low priority event is triggered, FM1100 makes additional record with indication what was the reason for that was CAN element change. When High priority is selected, module makes additional record with high priority flag and sends event packet immediately to the server by GPRS. Panic priority triggers same actions as high priority, but if GPRS fails, it sends AVL packet to server using SMS mode if SMS is enabled in SMS settings.

Data Acquisition Type – defines when to generate event – when value enters defined range, exits it or both, also is possible to select event which you want to generate then you change values, like crossing both values in high and low levels (Hysteresis).

High and Low levels – defines CAN value range. If CAN value enter or exits this range, FM1100 generates event by “Data Acquisition Type” settings. Figure 57 show example of FM1100 CAN configuration.

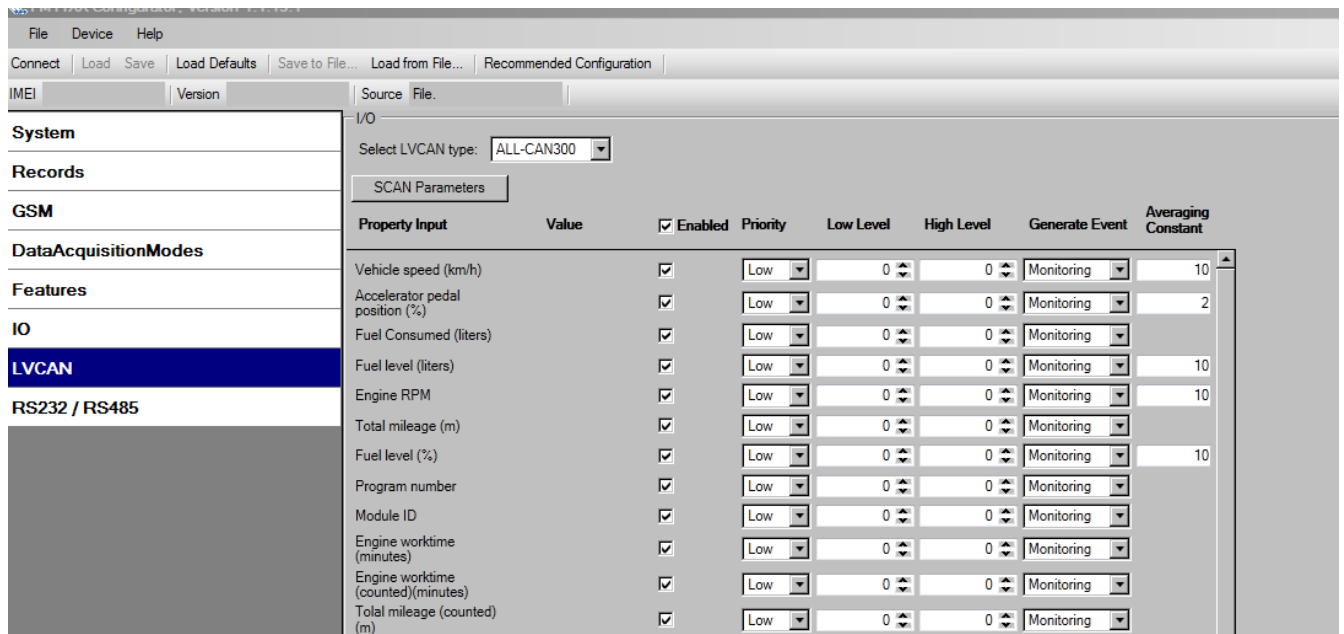


Figure 57 Configurator example

Available CAN Bus IO parameters and configuration can be found in Configurators CAN tab (Figure 59) and in next chapter “Parameters ID”.

## 9.5 Parameters ID

When no I/O element is enabled, AVL packet comes with GPS information only. After enabling I/O element(s) AVL packet along with GPS information contains current value(s) of enabled I/O element. AVL packet decoding is described in “FMXXX Protocols” document. List of available CAN bus data, parameter size, ID and value range you can find in table 9.1 and 9.2.

Table 9.1 ACQUIRED LV- CAN200 PARAMETRS IO ID

Category name	Param index	(signal) name	Size (Bytes)	Param IO ID	Value range
65265 – Cruise Control/Vehicle Speed	0	Vehicle Speed	1	81	0-250 km/h
61443 – Electronic Engine Controller #2	1	Accelerator Pedal Position	1	82	0-100 %
65257 – Fuel Consumption	2	Total Fuel Used	4	83	0-99999999 liters*
65276 – Dash Display	3	Fuel Level [liters]	2	84	0-255 liters
61444 – Electronic Engine Controller #1	4	Engine RPM	2	85	0-8200 rpm
65217 – High Resolution Vehicle Distance	5	Vehicle Distance	4	87	0-2145000000 meters
65276 – Dash Display	6	Fuel Level [%]	1	89	0-100 %
Program number	7	LV-CAN200 Program number	4	100	0-999

**NOTE:**

„Total Fuel Used“ is sent to server multiplied by 10.

Example: if value was 150.5 liters, „1505“ will be sent to server.

Table 9.2 ACQUIRED ALL-CAN300 PARAMETRS IO ID

Property Input	Param index	Size (Bytes)	Param IO ID	Measurement units	a1	Remarks
ALL-CAN300 Program number	29	4	100	-	-	
Module ID	30	8	101	-	-	
Engine Work Time	31	4	102	min	1	
Engine Work Time (counted) *	32	4	103	min	1	
Total Mileage	33	4	87	meters	1	
Total Mileage (counted) *	34	4	105	meters	1	
Fuel Consumed	35	4	83	Ltr * 10	0.1	
Fuel Consumed (counted) *	36	4	107	Ltr * 10	0.1	
Fuel Level [%]	37	1	89	proc.*	1	

Fuel Level [liters]	38	2	84	Ltrs * 10	0.1	
Fuel Rate	39	2	110	(Ltrs * 10) / h	0.1	
AdBlue Level (percent)	40	1	111	proc.	1	
AdBlue Level (liters)	41	2	112	Ltrs * 10	0.1	
Engine RPM	42	2	85	-	1	
Engine Load	43	1	114	proc.	1	Valid range: 0 – 125%
Engine Temperature	44	1	115	°C x 10	0.1	signed
Accelerator Pedal Position	45	1	82	proc.	1	
Vehicle Speed	46	1	81	km/h	1	
Axle 1 Load	47	2	118	kg	1	
Axle 2 Load	48	2	119	kg	1	
Axle 3 Load	49	2	120	kg	1	
Axle 4 Load	50	2	121	kg	1	
Axle 5 Load	51	2	122	kg	1	
Control State Flags	52	4	123	-	-	see table 9.2.1
Agricultural Machinery Flags	53	8	124	-	-	see table 9.2.1
Harvesting Time	54	4	125	min	1	
Area of Harvest	55	4	126	m <sup>2</sup>	1	
Mowing Efficiency	56	4	127	m <sup>2</sup> /h	1	
Grain Mown Volume	57	4	128	kg	1	
Grain Moisture	58	2	129	proc.	1	
Harvesting Drum RPM	59	2	130	-	-	
Gap Under Harvesting Drum	60	1	131	mm	1	
Security State Flags	61	8	132	-	-	see table 9.2.1
Tacho Total Vehicle Distance	62	4	133	m	1	
Trip Distance	63	4	134	m	1	
Tacho Vehicle Speed	64	2	135	km/h	1	
Tacho Driver Card Presence	65	1	136	-	-	see table 9.2.1
Driver1 States	66	1	137	-	-	see table 9.2.1
Driver2 States	67	1	138	-	-	see table 9.2.1
Driver1 Continuous Driving Time	68	2	139	min	1	
Driver2 Continuous Driving Time	69	2	140	min	1	

Driver1 Cumulative Break Time	70	2	141	min	1	
Driver2 Cumulative Break Time	71	2	142	min	1	
Driver1 Duration Of Selected Activity	72	2	143	min	1	
Driver2 Duration Of Selected Activity	73	2	144	min	1	
Driver1 Cumulative Driving Time	74	2	145	min	1	
Driver2 Cumulative Driving Time	75	2	146	min	1	
Driver1 ID High	76	8	147	ASCII		
Driver1 ID Low	77	8	148	ASCII		
Driver2 ID High	78	8	149	ASCII		
Driver2 ID Low	79	8	150	ASCII		
Battery Temperature	80	2	151	°C x 10	0.1	signed
Battery Level (percent)	81	1	152	proc.	1	

**NOTE:**

„Total Fuel Used“ is sent to server multiplied by 10.

Example: if value was 150.5 liters, „1505“ will be sent to server.

**Table 9.2.1 ALLCAN300 IO element values**

Idx	Description	Size, Bytes	AVL ID	Value bitmasks
52	Control state flags	4	123	<p><b>Byte0 (LSB):</b></p> <ul style="list-style-type: none"> <li><b>0x01</b> – STOP</li> <li><b>0x02</b> – Oil pressure / level</li> <li><b>0x04</b> – Coolant liquid temperature / level</li> <li><b>0x08</b> – Handbrake system</li> <li><b>0x10</b> – Battery charging</li> <li><b>0x20</b> – AIRBAG</li> </ul> <p><b>Byte1:</b></p> <ul style="list-style-type: none"> <li><b>0x01</b> – CHECK ENGINE</li> <li><b>0x02</b> – Lights failure</li> <li><b>0x04</b> – Low tire pressure</li> <li><b>0x08</b> – Wear of brake pads</li> <li><b>0x10</b> – Warning</li> <li><b>0x20</b> – ABS</li> <li><b>0x40</b> – Low Fuel</li> </ul> <p><b>Byte2:</b></p> <ul style="list-style-type: none"> <li><b>0x01</b> – ESP</li> <li><b>0x02</b> – Glow plug indicator</li> <li><b>0x04</b> – FAP</li> <li><b>0x08</b> – Electronics pressure control</li> <li><b>0x10</b> – Parking lights</li> <li><b>0x20</b> – Dipped headlights</li> <li><b>0x40</b> – Full beam headlights</li> </ul>

				<p><b>Byte3:</b></p> <ul style="list-style-type: none"> <li><b>0x40</b> – Passenger's seat belt</li> <li><b>0x80</b> – Driver's seat belt</li> </ul>
53	Agricultural machinery flags	8	124	<p><b>Byte0 (LSB):</b></p> <ul style="list-style-type: none"> <li><b>0x01</b> – Mowing</li> <li><b>0x02</b> – Grain release from hopper</li> <li><b>0x04</b> – First front hydraulic turned on</li> <li><b>0x08</b> – Rear Power Take-Off turned on</li> </ul> <p><b>Byte1:</b></p> <ul style="list-style-type: none"> <li><b>0x01</b> – Excessive play under the threshing drum</li> <li><b>0x02</b> – Grain tank is open</li> <li><b>0x04</b> – 100% of Grain tank</li> <li><b>0x08</b> – 70% of Grain tank</li> <li><b>0x10</b> – Drain filter in hydraulic system of drive cylinders is plugged</li> <li><b>0x20</b> – Pressure filter of drive cylinders hydraulic system is plugged</li> <li><b>0x40</b> – Alarm oil level in oil tank</li> <li><b>0x80</b> – Pressure filter of brakes hydraulic system is plugged</li> </ul> <p><b>Byte2:</b></p> <ul style="list-style-type: none"> <li><b>0x01</b> – Oil filter of engine is plugged</li> <li><b>0x02</b> – Fuel filter is plugged</li> <li><b>0x04</b> – Air filter is plugged</li> <li><b>0x08</b> – Alarm oil temperature in hydraulic system of chasis</li> <li><b>0x10</b> – Alarm oil temperature in hydraulic system of drive cylinders</li> <li><b>0x20</b> – Alarm oil pressure in engine</li> <li><b>0x40</b> – Alarm coolant level</li> <li><b>0x80</b> – Overflow chamber of hydraulic unit</li> </ul> <p><b>Byte3:</b></p> <ul style="list-style-type: none"> <li><b>0x01</b> – Unloader drive is ON. Unloading tube pivot is in idle position</li> <li><b>0x02</b> – No operator!</li> <li><b>0x04</b> – Straw walker is plugged</li> <li><b>0x08</b> – Water in fuel</li> <li><b>0x10</b> – Cleaning fan RPM</li> <li><b>0x20</b> – Trashing drum RPM</li> </ul> <p><b>Byte4:</b></p> <ul style="list-style-type: none"> <li><b>0x02</b> – Low water level in the tank</li> <li><b>0x04</b> – First rear hydraulic turned on</li> <li><b>0x08</b> – Standalone engine working</li> <li><b>0x10</b> – Right joystick moved right</li> <li><b>0x20</b> – Right joystick moved left</li> <li><b>0x40</b> – Right joystick moved front</li> <li><b>0x80</b> – Right joystick moved back</li> </ul> <p><b>Byte5:</b></p> <ul style="list-style-type: none"> <li><b>0x01</b> – Brushes turned on</li> </ul>

				<p>0x02 – Water supply turned on</p> <p>0x04 – Vacuum cleaner</p> <p>0x08 – Unloading from the hopper</p> <p>0x10 – High Pressure washer (Karcher)</p> <p>0x20 – Salt (sand) disperser ON</p> <p>0x40 – Low salt (sand) level</p> <p><b>Byte6:</b></p> <p>0x01 – Second front hydraulic turned on</p> <p>0x02 – Third front hydraulic turned on</p> <p>0x04 – Fourth front hydraulic turned on</p> <p>0x08 – Second rear hydraulic turned on</p> <p>0x10 – Third rear hydraulic turned on</p> <p>0x20 – Fourth rear hydraulic turned on</p> <p>0x40 – Front three-point Hitch turned on</p> <p>0x80 – Rear three-point Hitch turned on</p> <p><b>Byte7:</b></p> <p>0x01 – Left joystick moved right</p> <p>0x02 – Left joystick moved left</p> <p>0x04 – Left joystick moved front</p> <p>0x08 – Left joystick moved back</p> <p>0x10 – Front Power Take-Off turned on</p>
61	Security state flags	8	132	<p><b>Byte0 (LSB):</b></p> <p>0x20 – bit appears when any operate button in car was put</p> <p>0x40 – bit appears when immobilizer is in service mode</p> <p>0x80 – immobiliser, bit appears during introduction of a programmed sequence of keys in the car.</p> <p><b>Byte1:</b></p> <p>0x01 – the key is in ignition lock</p> <p>0x02 – ignition on</p> <p>0x04 – dynamic ignition on</p> <p>0x08 – webasto</p> <p>0x20 – car closed by factory's remote control</p> <p>0x40 – factory-installed alarm system is actuated (is in panic mode)</p> <p>0x80 – factory-installed alarm system is emulated by module</p> <p><b>Byte2:</b></p> <p>0x01 – parking activated (automatic gearbox)</p> <p>0x10 – handbrake is actuated (information available only with ignition on)</p> <p>0x20 – footbrake is actuated (information available only with ignition on)</p> <p>0x40 – engine is working (information available only when the ignition on)</p> <p>0x80 – revers is on</p> <p><b>Byte3:</b></p> <p>0x01 – Front left door opened</p> <p>0x02 – Front right door opened</p> <p>0x04 – Rear left door opened</p> <p>0x08 – Rear right door opened</p>



				<p><b>0x10</b> – engine cover opened</p> <p><b>0x20</b> – trunk door opened</p> <p><b>Byte4:</b></p> <p><b>0x01</b> – car was closed by the factory's remote control</p> <p><b>0x02</b> – car was opened by the factory's remote control</p> <p><b>0x03</b> – trunk cover was opened by the factory's remote control</p> <p><b>0x04</b> – module has sent a rearming signal</p> <p><b>0x05</b> – car was closed three times by the factory's remote control</p> <p>- High nibble (mask 0xF0 bit)</p> <p><b>0x80</b> – CAN module goes to sleep mode</p>
65	Tachograph driver card presence	1	136	<p><b>0x00</b> – No driver card</p> <p><b>0x01</b> – Driver1 card presence</p> <p><b>0x02</b> – Driver2 card presence</p> <p><b>0x03</b> – Driver1 and driver2 cards present</p>
66	Driver 1 states	1	137	<p><b>0xX0</b> – break/rest</p> <p><b>0xX1</b> – availability</p> <p><b>0xX2</b> – work</p> <p><b>0xX3</b> – driving</p> <p><b>0x0X</b> – no time-related warning detected</p> <p><b>0x1X</b> – limit #1: 15 min before 4 1/2 h</p> <p><b>0x2X</b> – limit #2: 4 1/2 h reached (continuous driving time exceeded)</p> <p><b>0x3X</b> – limit #3: 15 minutes before optional warning 1</p> <p><b>0x4X</b> – limit #4: optional warning 1 reached</p> <p><b>0x5X</b> – limit #5: 15 min before optional warning <b>0x6X</b> – limit #6: optional warning 2 reached</p>
67	Driver 2 states	1	138	

## 9.6 SMS Configuration

CAN Bus IO elements can be configured remotely via SMS command. First ID number is always '2', second ID number is always '0'. Third ID number refers to specific LV-CAN200 or ALL-CAN300 IO element (table 9.3). And the last ID number refers to sections – Property; Generation Type; Low and High levels (Table 9.4).

Here's example:

ID 2013 – configures Accelerator Pedal position parameter “High Level”.

**Table 9.3 LV-CAN200 and ALL-CAN300 IO elements SMS configuration Ids range**

ALL-CAN300 and LV-CAN200 IO Elements	Parameter Ids range
Speed	2000-2004
Accelerator pedal position	2010-2014
Total fuel used	2020-2023
Fuel level (liters)	2030-2034
Engine RPM	2040-2044
Total mileage	2050-2053
Fuel level (proc.)	2060-2064
Program number	2070-2073
Module ID	2080-2083
Engine Work Time	2090-2093
Engine Work Time (counted)	2100-2103
Total Mileage (counted)	2110-2113
Fuel Consumed (counted)	2120-2123
Fuel Rate	2130-2134
AdBlue Level (percent)	2140-2144
AdBlue Level (liters)	2150-2154
Engine Load	2160-2164
Engine Temperature	2170-2174
Axle 1 Load	2180-2184
Axle 2 Load	2190-2194
Axle 3 Load	2200-2204
Axle 4 Load	2210-2214
Axle 5 Load	2220-2224
Control State Flags	2230-2233
Agricultural Machinery Flags	2240-2243
Harvesting Time	2250-2253
Area of Harvest	2260-2263
Mowing Efficiency	2270-2274
Grain Mown Volume	2280-2283
Grain Moisture	2290-2294
Harvesting Drum RPM	2300-2304
Gap Under Harvesting Drum	2310-2314
Security State Flags	2320-2323
Tachograph Total Vehicle Distance	2330-2333
Trip Distance	2340-2343
Tachograph Vehicle Speed	2350-2354
Tachograph Driver Card Presence	2360-2363

Driver1 States	2370-2373
Driver2 States	2380-2383
Driver1 Continuous Driving Time	2390-2393
Driver2 Continuous Driving Time	2400-2403
Driver1 Cumulative Break Time	2410-2413
Driver2 Cumulative Break Time	2420-2423
Driver1 Selected Activity Duration	2430-2433
Driver2 Selected Activity Duration	2440-2443
Driver1 Cumulative Driving Time	2450-2453
Driver2 Cumulative Driving Time	2460-2463

**Table 9.4 LV-CAN200 and ALL-CAN300 IO parameters configuration**

Parameter ID	Parameter name	Available values
2xx0	Priority	0 – IO element disabled 1 – Low priority 2 – High priority 3 – Panic priority
2xx1	Generation type	0 – Event on exit 1 – Event on entrance 2 – Event on both 3 – Monitoring 4 – Hysteresis 5 – On change
2xx2	Low level	See table 9.5 – <b>Allowed Values</b> From 0 to 2 <sup>32</sup>
2xx3	High Level	
2xx4	Averaging Constant	

**Table 9.5 LV-CAN200 and ALL-CAN300 IO parameters allowed values**

LV-CAN200 IO Element	Minimum value	Maximum value
Speed	0	250
Accelerator pedal position	0	100
Total fuel used	0	99999999
Fuel level (liters)	0	100
Engine RPM	0	8200
Vehicle distance	0	2145000000
Fuel level (proc.)	0	100
Program number	0	999

### 9.7 CAN Program Number request by SMS

CAN program number can be obtained via SMS:

**SMS Text:** "lvcandetprog"

**Response:** "CAN Program Nr: XXX"

## 9.8 Get CAN info by SMS

Full LV-CAN information via SMS:

SMS Text: "lvcangetinfo"

Response:

"Prog: 139

SWRevison: 6

KernVer: 10

KernVar: 49

MdlID: 8884443332221110"

## 10 MOUNTING RECOMMENDATIONS

### 10.1 Connecting Wires

- Wires should be connected while module is not plugged in.
- Wires should be fastened to the other wires or non-moving parts. Try to avoid heat emitting and moving objects near the wires.
- The connections should not be seen very clearly. If factory isolation was removed while connecting wires, it should be applied again.
- If the wires are placed in the exterior or in places where they can be damaged or exposed to heat, humidity, dirt, etc., additional isolation should be applied.
- Wires cannot be connected to the board computers or control units.

### 10.2 Connecting Power Source

- Be sure that after the car computer falls asleep, power is still available on chosen wire. Depending on car, this may happen in 5 to 30 minutes period.
- When module is connected, be sure to measure voltage again if it did not decrease.
- It is recommended to connect to the main power cable in the fuse box.

### 10.3 Connecting Ignition Wire

- Be sure to check if it is a real ignition wire – power does not disappear while starting the engine.
- Check if this is not an ACC wire (when key is in the first position, most electronics of the vehicle are available).
- Check if power is still available when you turn off any of vehicles devices.
- Ignition is connected to the ignition relay output. As alternative, any other relay, which has power output, when ignition is on, may be chosen.

### 10.4 Connecting Ground Wire

- Ground wire is connected to the vehicle frame or metal parts that are fixed to the frame.
- If the wire is fixed with the bolt, the loop must be connected to the end of the wire.
- For better contact scrub paint from the place where loop is connected.



**PAY ATTENTION!** Connecting the power supply must be carried out in a very low impedance point on-board vehicle network. These points in the car are the battery terminals. Therefore, we recommend connecting the power of FM1120 (wire GND and POWER) directly to the battery terminals. Another valid option is to connect the wires to the main POWER cable inside the fuse box (if there is none, then to the power supply where the fuses of vehicle's computer are), wire GND must be connected in a special point, designed to connect GND vehicle computer. Connecting the GND at an arbitrary point to the mass of the car is unacceptable, as static and dynamic potentials on the line GND will be unpredictable, which can lead to unstable FM1120 and even its failure.

### Module Installation

- FM1120 must be placed sticker on TOP (please refer picture below).
- It's forbidden to place FM1120 under metal surfaces.
- It's recommended to place FM1120 device far from car radio, speakers or alarm systems.
- FM1120 must be placed so its state is as horizontal as possible.
- FM1120 should not be seen or easily reached.
- FM1120 should be firmly fixed to the surface or cables.
- FM1120 cannot be fixed to heat emitting or moving parts.
- SIM card should be inserted in the module while the connector is plugged off (while module has no power).

It is recommended to place FM1120 device behind dashboard as close to the window as possible. A good example of device placement is displayed in a picture below.

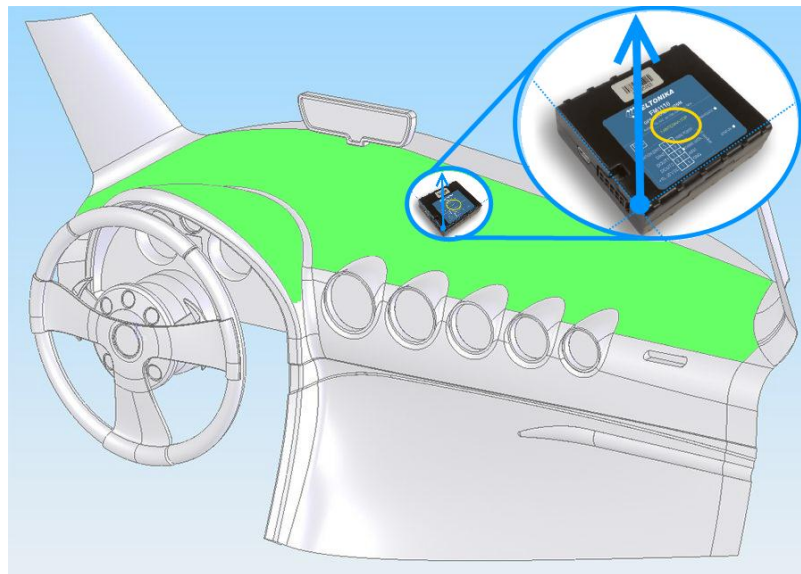


Figure 51 Correct placement of FM1120

## 11 CHANGE LOG

Nr.	Date	Version	Comments
1	2014-03-19	1.0	Preliminary draft release.
2	2014-03-26	1.1	Changed pictures.
3	2014-04-09	1.2	Changed software download links.
4	2014-04-22	1.3	Added new IO id's and battery description.
5	2014-06-04	1.4	Change pic. Immobilizer relay connection.
6	2014-06-04	1.5	Grammar error in FM naming.
7	2014-07-21	1.7	Added GNSS Settings parameter.
8	2014-07-22	1.8	Changed configurator and first page pictures.
9	2014-09-29	1.9	Added warning notification of Li-ion battery firmware and system parameter ignition source description.
10	2014-10-13	1.10	Edited USB drivers download link
11	2014-10-20	1.11	SMS Week Time parameter ID changed to correct ID
12	2014-11-10	1.12	Added Ignition Source, Power Voltage Low Level and Power Voltage High Level parameters
13	2014-12-08	1.13	Added jamming description.
14	2015-02-24	1.14	Overvoltage description added
15	2015-02-24	1.15	Sim card mounting scheme changed
16	2015-03-02	1.16	Domain example ID changed
17	2015-06-08	1.17	Mistake about fw version on page 20 correction
18	2015-07-13	2.1	<b>New version release for new base firmware 01.11.xx:</b> New SMS configuration Ids; New SMS Events; Added LV-CAN200 description;
19	2015-07-13	2.2	Minor changes
20	2015-07-14	2.3	Features dependence on configured Ignition Source description added.
21	2015-07-24	2.4	Operator List configuration SMS ID correction
22	2015-09-11	2.5	Maximum number of records in memory correction
23	2015-10-05	3.0	<b>New version release for new base firmware 01.14.xx:</b> Changed SMS configuration Ids
24	2015-10-23	3.1	Minor LV-CAN sms command value correction
25	2016-01-04	3.2	Firmware update using USB description updated Incorrect IDs changes, Some figures updated. Figures numbering updated
26	2016-01-06	4.1	<b>New version release for new base firmware 01.17.xx:</b> Added data acquisition settings parameters MinSpeed and MinSpeedSource descriptions, and sms configuration IDs. Some figures updated. Minor corrections.
27	2016-04-05	4.2	<b>Added SMS ggps command</b>
28	2016-05-06	4.3	<b>Internal battery description updated</b>

29	2016-05-06	4.4	<b>Updated LV-CAN description</b>
30	2016-05-16	4.5	Minor changes
31	2016-07-14	4.6	Minor changes: 1 Averaging constant value changed to 100 milliseconds
32	2016-08-03	5.0	<b>New version release for new base firmware 01.19.xx:</b> LVCAN online log added. Added time sync via NTP with configurable GNSS fix timeout and enable/disable parameter. Added ALL-CAN300 parameters I/O IDs.
33	2016-08-22	5.1	Corrected Virtual COM Port driver download link
34	2016-09-14	5.2	LV-CAN200 I/O description update
35	2016-10-11	5.3	Updated ALLCAN300 information Added ALLCAN300 IO element values table Added NTP parameter information.